

M135

ROUNDED HANDLE WITH PUSH-FIT HOLE



Materials:

Reinforced polyamide.
Resistant to oils and greases.

Surface finish:

Satin.

Colour:

Black (RAL 9011).

Hole:

Version TG:
Blind smooth bore, with deformable fixing ribs, obtained by moulding the plastic.

Version TM:

Female threaded hole obtained by moulding the plastic (thread tolerance not applicable).

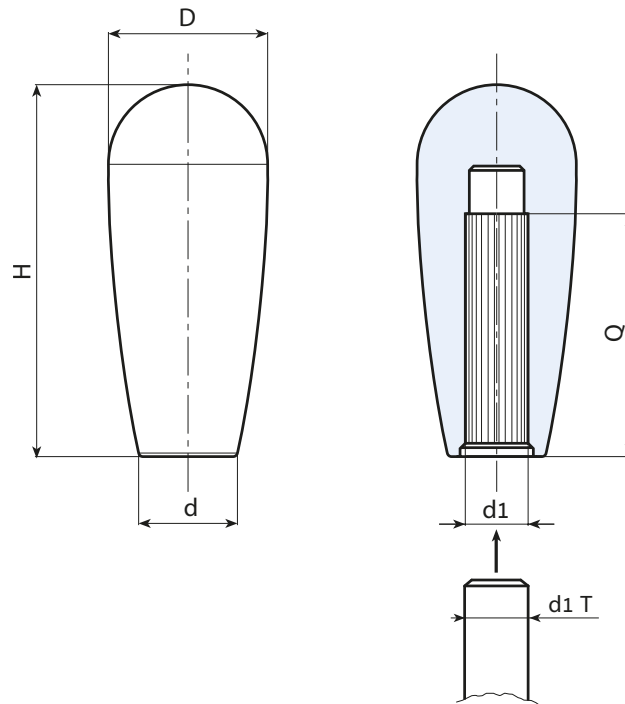
Fixing method:

Version TG:

Push-fit.

Special Requests:

- Upon request and for special quantities the handle can be supplied with threaded hole (code TM).
- Upon request and for special quantities diameter d1 can be supplied to customer's drawing.
- Upon request and for special quantities available in the colours indicated in the chart [page].(*) ATTENTION reduced colour range.



Version TG: With push-fit hole.

Stock availability as % (🛒)
90% (●) - 40% (●) - 5% (●)

🛒	art.	H	D	d	d1 T	d1	Q	🛒
●	M13583.TG1001	84,5	35,5	23	+0 -0,058	10	50	64
●	M13583.TG1201	84,5	35,5	23	+0 -0,070	12	50	62
●	M13583.TG1401	84,5	35,5	23	+0 -0,070	14	50	59

Version TM: With threaded hole.

🛒	art.	H	D	d	d1	Q	🛒
●	M13583.TM1001	84,5	35,5	23	M10	50	64