

M129

REVOLVING HANDLE WITH HEXAGONAL SOCKET STUD



Materials:

Reinforced polyamide.
Resistant to oils and greases.

Surface finish:

Satin.

Colour:

Black (RAL 9011).

Inserts:

M129:

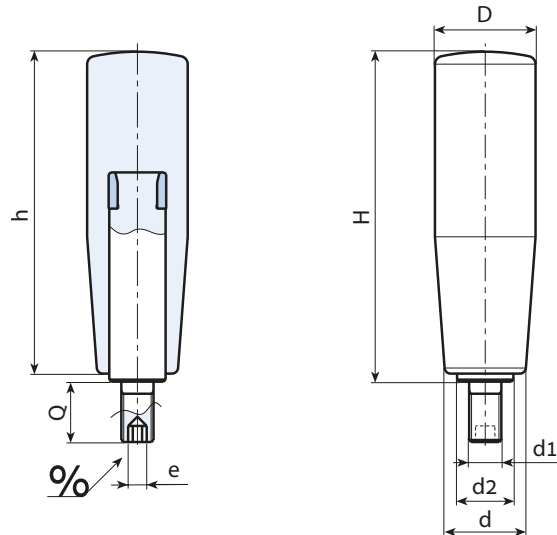
Revolving galvanised steel threaded stud, with hexagon socket head and harmonic steel rotating spring (thread tolerance 6g).

M129CIN:

Revolving stainless steel threaded stud (Aisi 303), with hexagon socket head and stainless steel rotating spring (Aisi 302) (thread tolerance 6g).

Special Requests:

- Upon request and for special quantities available in the colours indicated in the chart [page].



Version M129: with galvanised steel insert.

Stock availability as % (🛒)
90% (●) - 40% (●) - 5% (●)

🛒	art.	H	h	D	d	d2	e	d1 _{6g}	Q	📦
●	M12950.TM06X1201	52	50,5	20	15	10	3	M6	12	42
●	M12960.TM06X1201	62,5	60,5	23,5	18	10	3	M6	12	54
●	M12960.TM08X1501	62,5	60,5	23,5	18	10	4	M8	15	60
●	M12970.TM08X1501	72	70	25	18,5	10	4	M8	15	92
●	M12970.TM10X1501	72	70	25	18,5	10	4	M10	15	94
●	M12980.TM08X1501	81,5	79	26	22	14	4	M8	15	98
●	M12980.TM10X1501	81,5	79	26	22	14	5	M10	15	104
●	M12980.TM12X1501	81,5	79	26	22	14	5	M12	15	104
●	M12990.TM10X1501	92	89,5	28	23,5	14	5	M10	15	118
●	M12990.TM12X1501	92	89,5	28	23,5	14	5	M12	15	120

Version M129CIN: with stainless steel insert (Aisi 303).

INOX

🛒	art.	H	h	D	d	d2	e	d1 _{6g}	Q	📦
●	M12950.TM06X1201CIN	52	50,5	20	15	10	3	M6	12	42
●	M12960.TM06X1201CIN	62,5	60,5	23,5	18	10	3	M6	12	54
●	M12960.TM08X1501CIN	62,5	60,5	23,5	18	10	4	M8	15	60
●	M12970.TM08X1501CIN	72	70	25	18,5	10	4	M8	15	92
●	M12970.TM10X1501CIN	72	70	25	18,5	10	4	M10	15	94
●	M12980.TM08X1501CIN	81,5	79	26	22	14	4	M8	15	98
●	M12980.TM10X1501CIN	81,5	79	26	22	14	5	M10	15	104
●	M12980.TM12X1501CIN	81,5	79	26	22	14	5	M12	15	104
●	M12990.TM10X1501CIN	92	89,5	28	23,5	14	5	M10	15	118
●	M12990.TM12X1501CIN	92	89,5	28	23,5	14	5	M12	15	120

Arbel Agencies LTD.



11 Ba'alei Hamelacha st. Qiryat Bialik P.O.B 1095, ZIP 2751311, ISRAEL
+972(0)48736969 ☎ +972(0)48730708 📠 info@arbel-ltd.com 📧 www.arbel-ltd.com 🌐

