

M128

GEAR STICK HANDLE



Materials:

Reinforced polyamide.
Resistant to oils and greases.

Surface finish:

Satin.

Colour:

Black (RAL 9011).

Hole:

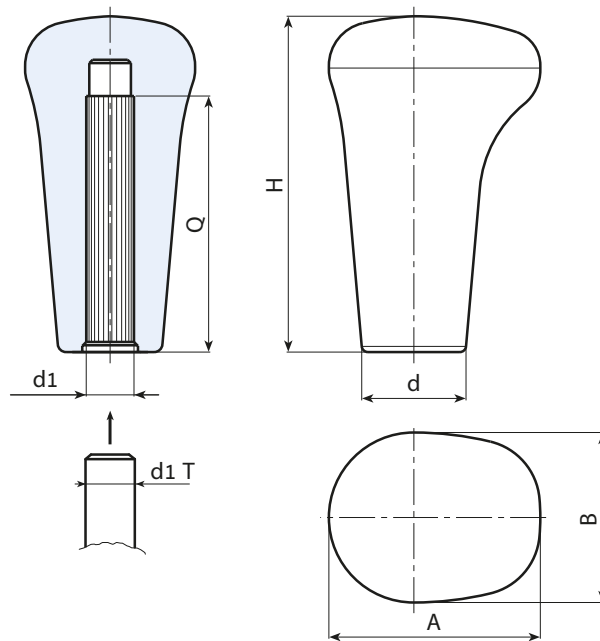
Blind smooth bore, with deformable fixing ribs, obtained by moulding the plastic.

Fixing method:

Push-fit.

Special Requests:

- Upon request and for special quantities diameter d1 can be supplied to customer's drawing.
- Upon request and for special quantities available in the colours indicated in the chart [page].(*) ATTENTION reduced colour range.



Stock availability as % (🛒)
90% (●) - 40% (●) - 5% (●)

🛒	art.	H	A	B	d	d1 T	d1	Q	🛒
●	M12880.TG1201	80	50	40	25,5	+0 -0,058	12	55	74
●	M12880.TG1401	80	50	40	25,5	+0 -0,070	14	70	70
●	M12880.TG1601	80	50	40	25,5	+0 -0,070	16	70	65

M