

# L808



## “EUROMODEL” WING NUT WITH SMOOTH THROUGH BORE WITHOUT CAP

MODELLO DEPOSITATO

### Materials:

Reinforced polyamide.  
Resistant to oils and greases.

### Surface finish:

Satin.

### Colour:

Black (RAL 9011).

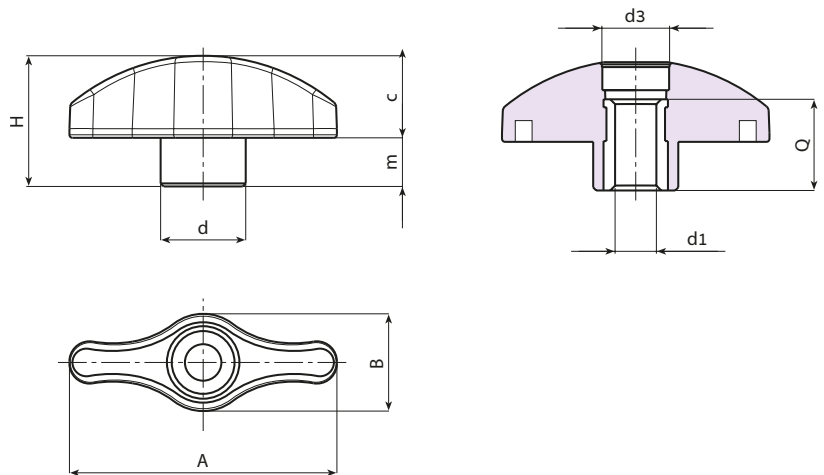
### Inserts:

**L808:**  
Brass insert with smooth through bore (bore tolerance H9).

**L808PIN:**  
Galvanised steel insert with smooth through bore (Aisi 303) (bore tolerance H9).

### Special requests:

- Upon request and for special quantities inserts can be supplied in different materials.
- Upon request and for special quantities available in the colours indicated in the chart (attention: reduced range) [page ].



### Version L808: standard brass insert.

Stock availability as % (🛒)  
90% (●) - 40% (●) - 5% (●)

art.	A	B	H	m	c	d	d3	d1 <sub>H9</sub>	Q	g
L80844.TD0501	44	16	21.5	8	14	14	10	5	15	8
L80844.TD0601	44	16	21.5	8	14	14	10	6	15	8
L80844.TD0801	44	16	21.5	8	14	14	10	8	15	9
L80852.TD0501	52	19	25.5	9.5	16.5	17	13	5	18	13
L80852.TD0601	52	19	25.5	9.5	16.5	17	13	6	18	13
L80852.TD0801	52	19	25.5	9.5	16.5	17	13	8	18	14
L80852.TD1001	52	19	25.5	9.5	16.5	17	13	10	18	15
L80867.TD0601	67	24	32	11	21.5	21	16	6	18	24
L80867.TD0801	67	24	32	11	21.5	21	16	8	18	24
L80867.TD1001	67	24	32	11	21.5	21	16	10	18	25
L80867.TD1201	67	24	32	11	21.5	21	16	12	18	25

### Version L808PIN: stainless steel insert (Aisi 303).

INOX

art.	A	B	H	m	c	d	d3	d1 <sub>H9</sub>	Q	g
L80844.TD0601PIN	44	16	21.5	8	14	14	10	6	15	8
L80852.TD0801PIN	52	19	25.5	9.5	16.5	17	13	8	18	14
L80867.TD1001PIN	67	24	32	11	21.5	21	16	10	18	25

### Arbel Agencies LTD.



11 Ba'alei Hamelacha st. Qiryat Bialik P.O.B 1095, ZIP 2751311, ISRAEL  
+972(0)48736969 ☎ +972(0)48730708 📠 info@arbel-ltd.com 📧 www.arbel-ltd.com 🌐

