

# L807



## “EUROMODEL” WING NUT WITH THREADED STUD WITHOUT CAP

MODELLO DEPOSITATO

### Materials:

Reinforced polyamide.  
Resistant to oils and greases.

### Surface finish:

Satin.

### Colour:

Black (RAL 9011).

### Inserts:

#### L807:

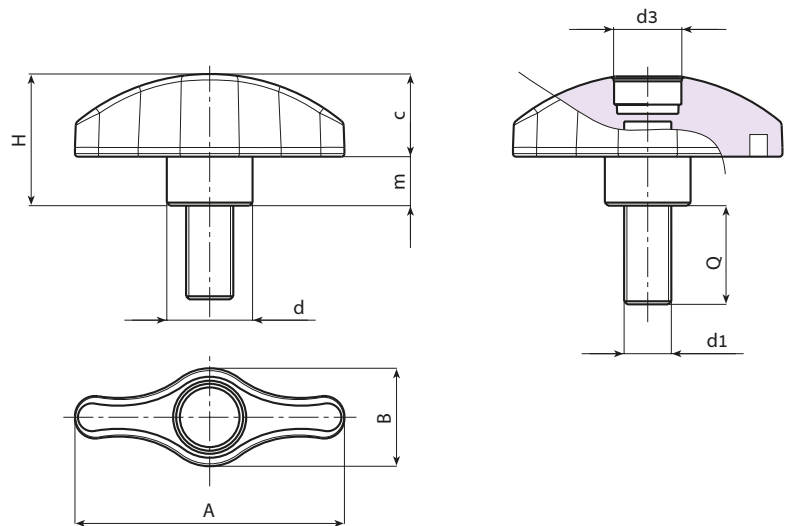
Galvanised steel threaded stud (thread tolerance 6g).

#### L807CIN:

Stainless steel threaded stud (Aisi 303) (thread tolerance 6g).

### Special requests:

- Upon request and for special quantities inserts can be supplied with customised lengths.
- Upon request and for special quantities inserts can be supplied in different materials.
- Upon request and for special quantities available in the colours indicated in the chart (attention: reduced range) [page].



### Version L807: galvanised steel stud.

Stock availability as % (🛒)  
90% (●) - 40% (●) - 5% (●)

art.	A	B	H	m	c	d	d3	LM	d1 <sub>6g</sub>	Q	g
L80744.TM05X..01	44	16	21.5	8	14	14	10	80	M5	16-20-25-30-40-50	10-10,5-11-11,5-12,5-13,5
L80744.TM06X..01	44	16	21.5	8	14	14	10	80	M6	16-20-25-30-40-50	11-12-13-14-15-16
L80744.TM08X..01	44	16	21.5	8	14	14	10	80	M8	16-20-25-30-40-50	18-19,5-21-22,5-25-28
L80752.TM06X..01	52	19	25.5	9.5	16.5	17	13	80	M6	16-20-25-30-40-50	16-17-18-19-20-21
L80752.TM08X..01	52	19	25.5	9.5	16.5	17	13	80	M8	16-20-25-30-40-50	23-24,5-26-27,5-30-33
L80752.TM10X..01	52	19	25.5	9.5	16.5	17	13	80	M10	20-25-30-40-50	31-34-37-41-46
L80767.TM06X..01	67	24	32	11	21.5	21	16	100	M6	A.R.	-
L80767.TM08X..01	67	24	32	11	21.5	21	16	100	M8	16-20-25-30-40-50	31-32,5-34-35,5-38,5-41,5
L80767.TM10X..01	67	24	32	11	21.5	21	16	100	M10	30-50	43,5-53,5
L80767.TM12X..01	67	24	32	11	21.5	21	16	100	M12	30-40	51-58

Enter the selected stud length in place of the two dots . . in the item code.

A.R. = Customised stud length available for a minimum of 250 pieces.

LM = Maximum mouldable length.

### Version L807CIN: stainless steel stud (Aisi 303).

INOX

art.	A	B	H	m	c	d	d3	LM	d1 <sub>6g</sub>	Q	g
L80744.TM06X..01CIN	44	16	22	8	14	14	10	80	M6	A.R.	-
L80752.TM08X..01CIN	52	19	26	9.5	16.5	17	13	80	M8	A.R.	-
L80767.TM10X..01CIN	67	24	32.5	11	21.5	21	16	100	M10	A.R.	-

Enter the selected stud length in place of the two dots . . in the item code.

A.R. = Customised stud length available for a minimum of 250 pieces.

LM = Maximum mouldable length.



Arbel Agencies LTD.

11 Ba'alei Hamelacha st. Qiryat Bialik P.O.B 1095, ZIP 2751311, ISRAEL  
+972(0)48736969 ☎ +972(0)48730708 📠 info@arbel-ltd.com 📧 www.arbel-ltd.com 🌐

