

# L806



## “EUROMODEL” WING NUT WITH THREADED THROUGH-HOLE INSERT WITHOUT CAP

MODELLO DEPOSITATO

### Materials:

Reinforced polyamide.  
Resistant to oils and greases.

### Surface finish:

Satin.

### Colour:

Black (RAL 9011).

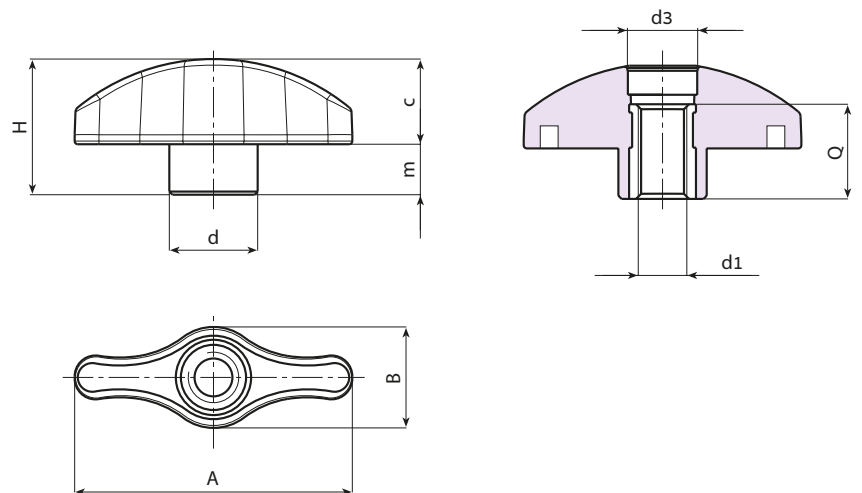
### Inserts:

**L806:** Brass insert with threaded through hole (thread tolerance 6H).

**L806PIN:** Stainless steel insert with threaded through hole (Aisi 303) (thread tolerance 6H).

### Special requests:

- Upon request and for special quantities inserts can be supplied in different materials.
- Upon request and for special quantities available in the colours indicated in the chart (attention: reduced range) [page ].



### Version L806: standard brass insert.

Stock availability as % (🛒)  
90% (●) - 40% (●) - 5% (●)

art.	A	B	H	m	c	d	d3	d1 <sup>6H</sup>	Q	g
L80644.TM0501	44	16	21.5	8	14	14	10	M5	15	9
L80644.TM0601	44	16	21.5	8	14	14	10	M6	15	9
L80644.TM0801	44	16	21.5	8	14	14	10	M8	15	10
L80652.TM0501	52	19	25.5	9.5	16.5	17	13	M5	18	14
L80652.TM0601	52	19	25.5	9.5	16.5	17	13	M6	18	15
L80652.TM0801	52	19	25.5	9.5	16.5	17	13	M8	18	16
L80652.TM1001	52	19	25.5	9.5	16.5	17	13	M10	18	16
L80667.TM0601	67	24	32	11	21.5	21	16	M6	18	25
L80667.TM0801	67	24	32	11	21.5	21	16	M8	18	25
L80667.TM1001	67	24	32	11	21.5	21	16	M10	18	26
L80667.TM1201	67	24	32	11	21.5	21	16	M12	18	26

### Version L806PIN: stainless steel insert (Aisi 303).

INOX

art.	A	B	H	m	c	d	d3	d1 <sup>6H</sup>	Q	g
L80644.TM0601PIN	44	16	21.5	8	14	14	10	M6	15	9
L80652.TM0801PIN	52	19	25.5	9.5	16.5	17	13	M8	18	16
L80667.TM1001PIN	67	24	32	11	21.5	21	16	M10	18	26

### Arbel Agencies LTD.



11 Ba'alei Hamelacha st. Qiryat Bialik P.O.B 1095, ZIP 2751311, ISRAEL  
+972(0)48736969 ☎ +972(0)48730708 📠 info@arbel-ltd.com 📧 www.arbel-ltd.com 🌐

