

# L805

## "EUROMODEL" WING NUT WITH INSERT AND SMOOTH THROUGH BORE



MODELLO DEPOSITATO

### Materials:

Reinforced polyamide.  
Resistant to oils and greases.

### Surface finish:

Satin.

### Colour:

Black (RAL 9011).

### Central Cap:

Grey polyamide (RAL 7035 code 13).

### Alternative Cap colours:

Orange (RAL 2004 code 02).  
Blue (RAL 5015 code 07).  
Yellow (RAL 1021 code 10).  
Red (RAL 3000 code 16).  
Green (RAL 6024 code 17).  
Black (RAL 9011 code 01).

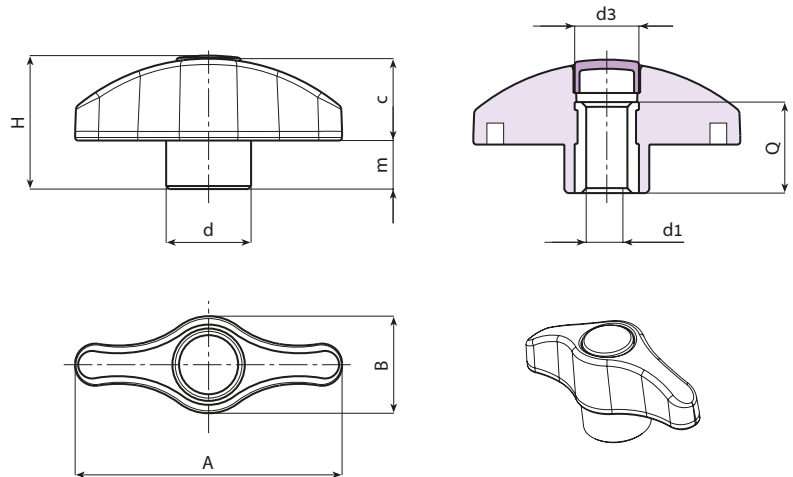
### Inserts:

**L805:**  
Brass insert with smooth through bore (bore tolerance H9).

**L805PIN:**  
Galvanised steel insert with smooth through bore (Aisi 303)  
(bore tolerance H9).

### Special requests:

- Upon request and for special quantities inserts can be supplied in different materials.
- Upon request and for special quantities available in the colours indicated in the chart (attention: reduced range [page]).



### Version L805: standard brass insert.

Stock availability as % (🛒)  
90% (●) - 40% (●) - 5% (●)

art.	A	B	H	m	c	d	d3	d1 <sub>H9</sub>	Q	📦
L80544.TD050113	44	16	22	8	14	14	10	5	15	9
L80544.TD060113	44	16	22	8	14	14	10	6	15	9
L80544.TD080113	44	16	22	8	14	14	10	8	15	10
L80552.TD050113	52	19	26	9.5	16.5	17	13	5	18	14
L80552.TD060113	52	19	26	9.5	16.5	17	13	6	18	14
L80552.TD080113	52	19	26	9.5	16.5	17	13	8	18	15
L80552.TD100113	52	19	26	9.5	16.5	17	13	10	18	16
L80567.TD060113	67	24	32.5	11	21.5	21	16	6	18	25
L80567.TD080113	67	24	32.5	11	21.5	21	16	8	18	25
L80567.TD100113	67	24	32.5	11	21.5	21	16	10	18	26
L80567.TD120113	67	24	32.5	11	21.5	21	16	12	18	26

### Version L805PIN: stainless steel insert (Aisi 303).



art.	A	B	H	m	c	d	d3	d1 <sub>H9</sub>	Q	📦
L80544.TD060113PIN	44	16	22	8	14	14	10	6	15	9
L80552.TD080113PIN	52	19	26	9.5	16.5	17	13	8	18	15
L80567.TD100113PIN	67	24	32.5	11	21.5	21	16	10	18	26



Arbel Agencies LTD.  
11 Ba'alei Hamelacha st. Qiryat Bialik P.O.B 1095, ZIP 2751311, ISRAEL  
+972(0)48736969 ☎ +972(0)48730708 📠 info@arbel-ltd.com 📧 www.arbel-ltd.com 🌐

