

L803

"EUROMODEL" WING NUT WITH THREADED THROUGH-HOLE INSERT



MODELLO DEPOSITATO

Materials:

Reinforced polyamide.
Resistant to oils and greases.

Surface finish:

Satin.

Colour:

Black (RAL 9011).

Central Cap:

Grey polyamide (RAL 7035 code 13).

Alternative Cap colours:

Orange (RAL 2004 code 02).
Blue (RAL 5015 code 07).
Yellow (RAL 1021 code 10).
Red (RAL 3000 code 16).
Green (RAL 6024 code 17).
Black (RAL 9011 code 01).

Inserts:

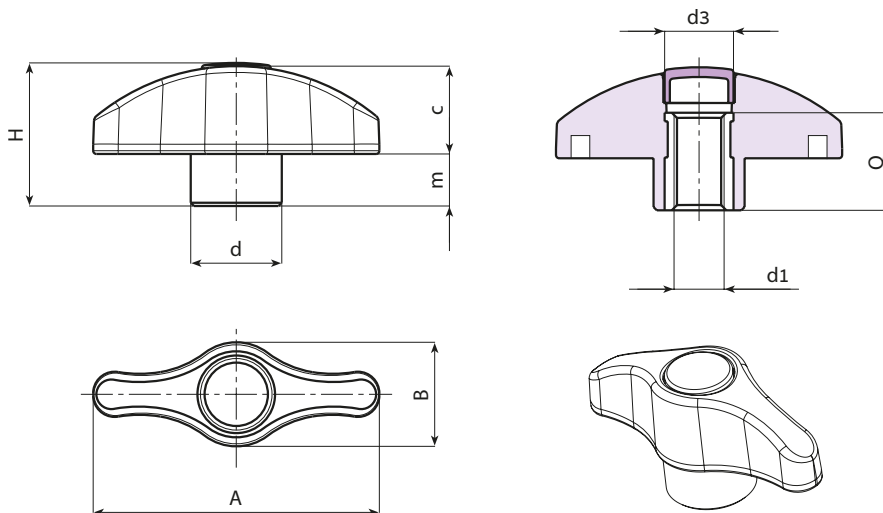
L803:
Brass insert with threaded through hole (thread tolerance 6H).

L803PIN:

Stainless steel insert with threaded through hole (Aisi 303) (thread tolerance 6H).

Special requests:

- Upon request and for special quantities inserts can be supplied in different materials.
- Upon request and for special quantities available in the colours indicated in the chart (attention: reduced range) [page].



Version L803: standard brass insert.

Stock availability as % (🛒)
90% (●) - 40% (●) - 5% (●)

| art. | A | B | H | m | c | d | d3 | d1 _{6H} | Q | g |
|-----------------|----|----|------|-----|------|----|----|------------------|----|----|
| L80344.TM050113 | 44 | 16 | 22 | 8 | 14 | 14 | 10 | M5 | 15 | 10 |
| L80344.TM060113 | 44 | 16 | 22 | 8 | 14 | 14 | 10 | M6 | 15 | 10 |
| L80344.TM080113 | 44 | 16 | 22 | 8 | 14 | 14 | 10 | M8 | 15 | 11 |
| L80352.TM050113 | 52 | 19 | 26 | 9.5 | 16.5 | 17 | 13 | M5 | 18 | 15 |
| L80352.TM060113 | 52 | 19 | 26 | 9.5 | 16.5 | 17 | 13 | M6 | 18 | 15 |
| L80352.TM080113 | 52 | 19 | 26 | 9.5 | 16.5 | 17 | 13 | M8 | 18 | 16 |
| L80352.TM100113 | 52 | 19 | 26 | 9.5 | 16.5 | 17 | 13 | M10 | 18 | 16 |
| L80367.TM060113 | 67 | 24 | 32.5 | 11 | 21.5 | 21 | 16 | M6 | 18 | 26 |
| L80367.TM080113 | 67 | 24 | 32.5 | 11 | 21.5 | 21 | 16 | M8 | 18 | 26 |
| L80367.TM100113 | 67 | 24 | 32.5 | 11 | 21.5 | 21 | 16 | M10 | 18 | 27 |
| L80367.TM120113 | 67 | 24 | 32.5 | 11 | 21.5 | 21 | 16 | M12 | 18 | 27 |

Version L803 PIN - stainless steel insert (Aisi 303)



| art. | A | B | H | m | c | d | d3 | d1 _{6H} | Q | g |
|--------------------|----|----|------|-----|------|----|----|------------------|----|----|
| L80344.TM060113PIN | 44 | 16 | 22 | 8 | 14 | 14 | 10 | M6 | 15 | 10 |
| L80352.TM080113PIN | 52 | 19 | 26 | 9.5 | 16.5 | 17 | 13 | M8 | 18 | 16 |
| L80367.TM100113PIN | 67 | 24 | 32.5 | 11 | 21.5 | 21 | 16 | M10 | 18 | 27 |

Arbel Agencies LTD.



11 Ba'alei Hamelacha st. Qiryat Bialik P.O.B 1095, ZIP 2751311, ISRAEL
+972(0)48736969 ☎ +972(0)48730708 📠 info@arbel-ltd.com 📧 www.arbel-ltd.com 🌐

