

L749

28 mm WING NUT WITH THREADED STUD



Materials:

Reinforced polyamide.
Resistant to oils and greases.

Surface finish:

Satin.

Colour:

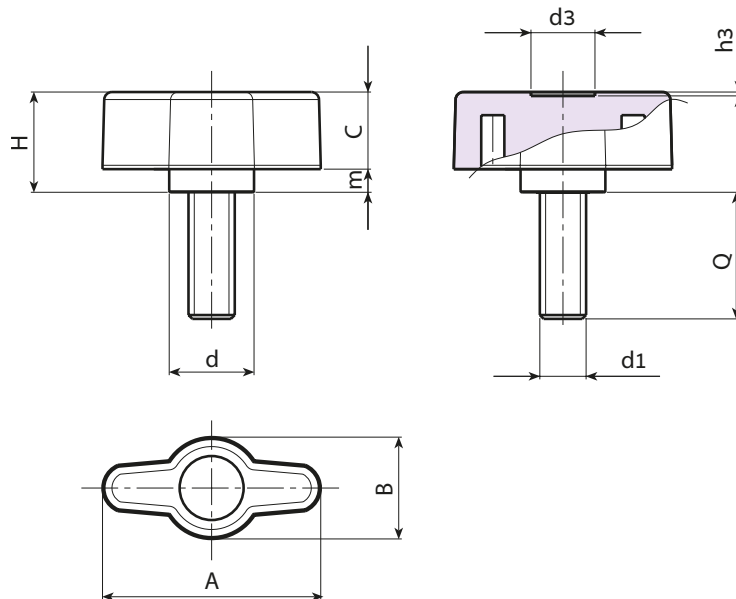
Black (RAL 9011).

Inserts:

Galvanised steel threaded stud (thread tolerance 6g).

Special Requests:

- Upon request and for special quantities inserts can be supplied with customised lengths.
- Upon request and for special quantities inserts can be supplied in different materials.
- Upon request and for special quantities available in the colours indicated in the chart (attention: reduced range) [page].



Stock availability as % (🛒)
90% (●) - 40% (●) - 5% (●)

Art.	A	B	H	m	c	d	d3	h3	LM	d1 _{6g}	Q	📦
L74928.TM04X..01	28	13	13	3	10	11	8	0.5	75	M4	A.R.	-
L74928.TM05X..01	28	13	13	3	10	11	8	0.5	75	M5	A.R.	-
L74928.TM06X4001	28	13	13	3	10	11	8	0.5	75	M6	40	11

Enter the selected stud length in place of the two dots . . in the item code.

A.R. = Upon request, for a minimum of 300 pieces.

LM = Maximum mouldable length.