

# L748



## 28 mm WING NUT WITH WITH INSERT AND THREADED THROUGH HOLE

### Materials:

Reinforced polyamide.  
Resistant to oils and greases.

### Surface finish:

Satin.

### Colour:

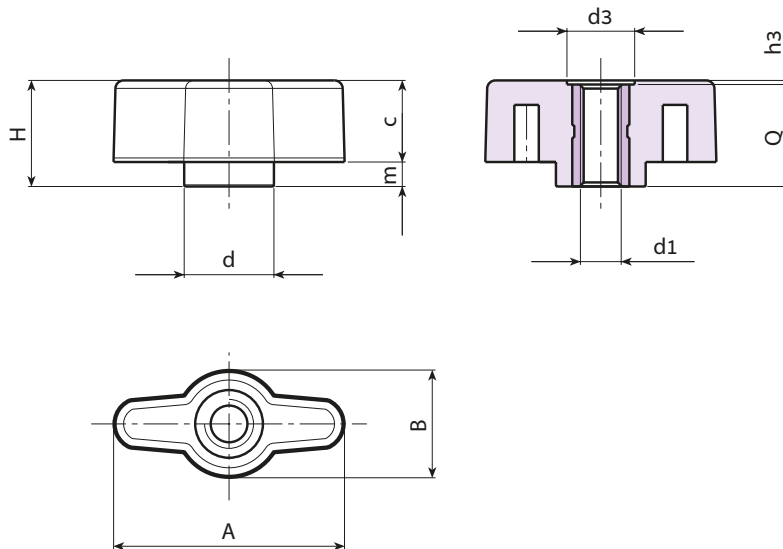
Black (RAL 9011).

### Inserts:

Brass insert with threaded through hole (thread tolerance 6H).

### Special Requests:

- Upon request and for special quantities inserts can be supplied in different materials.
- Upon request and for special quantities available in the colours indicated in the chart [page ].



Stock availability as % (🛒)  
90% (●) - 40% (●) - 5% (●)

Art.	A	B	H	m	c	d	d3	h3	d1 <sub>6H</sub>	Q	🛒
L74828.TM0401	28	13	13	3	10	11	8	0.5	M4	12.5	5
L74828.TM0501	28	13	13	3	10	11	8	0.5	M5	12.5	5
L74828.TM0601	28	13	13	3	10	11	8	0.5	M6	12.5	6