

L747



28 mm WING NUT WITH WITH THREADED HOLE INSERT

Materials:

Reinforced polyamide.
Resistant to oils and greases.

Surface finish:

Satin.

Colour:

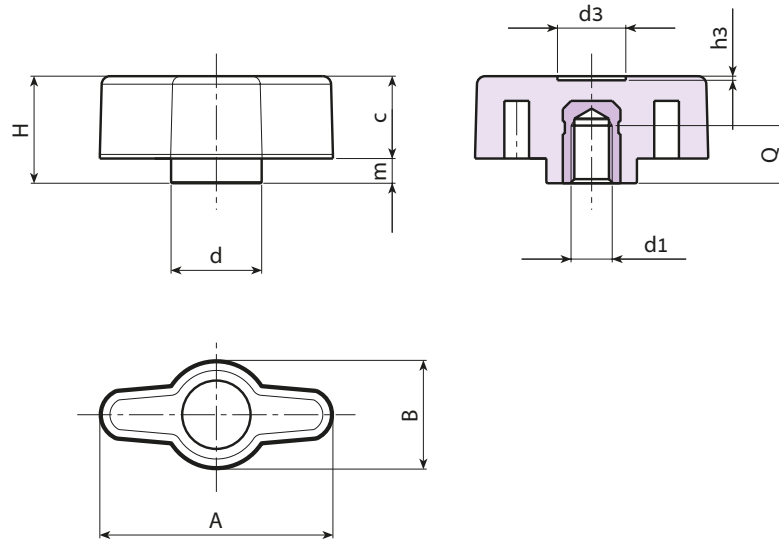
Black (RAL 9011).

Inserts:

Brass insert with female threaded hole (thread tolerance 6H).

Special Requests:

- Upon request and for special quantities inserts can be supplied in different materials.
- Upon request and for special quantities available in the colours indicated in the chart [page].



Stock availability as % (🛒)
90% (●) - 40% (●) - 5% (●)

| Art. | A | B | H | m | c | d | d3 | h3 | d1 _{6H} | Q | g |
|---------------|----|----|----|---|----|----|----|-----|------------------|---|---|
| L74728.TM0401 | 28 | 13 | 13 | 3 | 10 | 11 | 8 | 0.5 | M4 | 8 | 4 |
| L74728.TM0501 | 28 | 13 | 13 | 3 | 10 | 11 | 8 | 0.5 | M5 | 8 | 5 |
| L74728.TM0601 | 28 | 13 | 13 | 3 | 10 | 11 | 8 | 0.5 | M6 | 8 | 6 |