

L275HIN NEW



FULL STAINLESS STEEL T-HANDLE WITH THREADED STUD

INOX

Materials:

Knob:

Precision-cast stainless steel, (Aisi 304).

Stud:

Stainless steel (Aisi 303).

Surface finish:

Satin.

Colour:

Natural

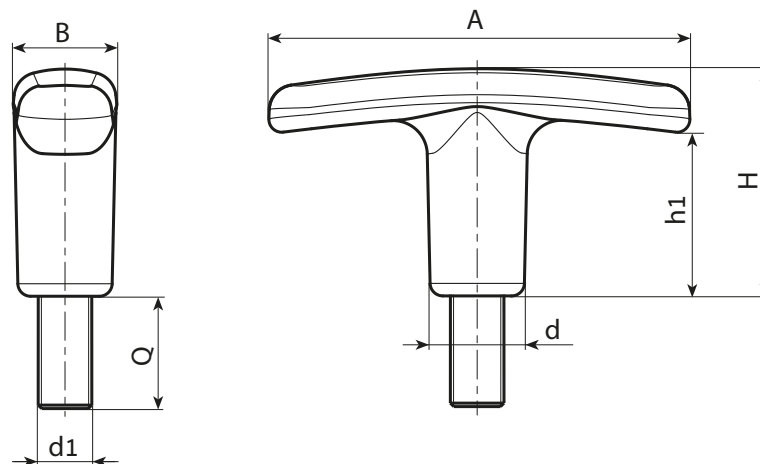
Inserts:

Turned threaded stud (thread tolerance 6g).

ATTENTION: The stud is fixed with glue.

Special Requests:

- Upon request and for a minimum of 50 pieces inserts can be supplied with customised lengths.



Stock availability as % (🛒)
90% (●) - 40% (●) - 5% (●)

Art.	A	B	H	h1	d	d1 _{6H}	Q	🛒
L27550.HNM05X30HIN	50	15	24	17	14	M5	30	--
L27560.HNM06X30HIN	60	15	24	17	14	M6	30	--
L27572.HNM08X30HIN	72	15	24	17	14	M8	30	--
L27572.HNM10X30HIN	72	15	24	17	14	M10	30	--



Arbel Agencies LTD.
11 Ba'alei Hamelacha st. Qiryat Bialik P.O.B 1095, ZIP 2751311, ISRAEL
+972(0)48736969 ☎ +972(0)48730708 📠 info@arbel-ltd.com 🌐 www.arbel-ltd.com 🌐

