

# L274HIN NEW



## FULL STAINLESS STEEL T-HANDLE WITH FEMALE THREADED HOLE

INOX

**Materials:**

Precision-cast stainless steel, (Aisi 304).

**Surface finish:**

Satin.

**Colour:**

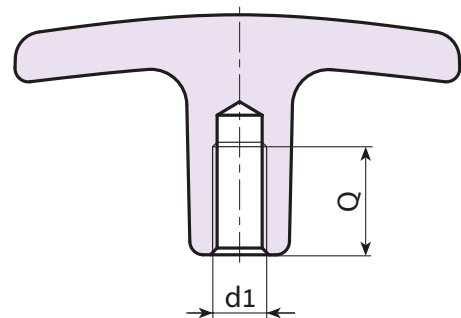
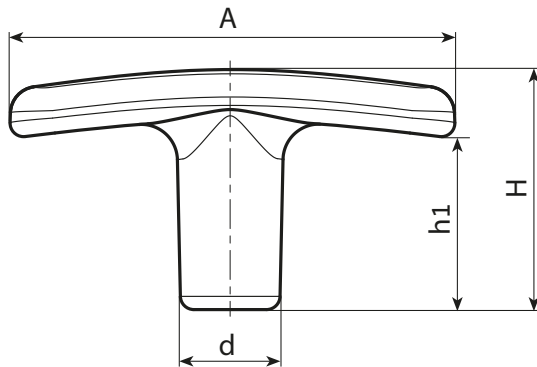
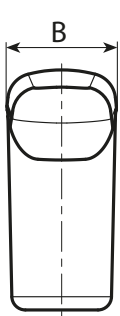
Natural

**Hole:**

Female threaded hole, obtained by further processing (thread tolerance 6H).

**Special Requests:**

- Upon request and for special quantities the hole can be supplied to customer's drawing.
- Upon request and for special quantities the T-handle can be supplied in Aisi 316 stainless steel.



Stock availability as % (🛒)  
90% (●) - 40% (●) - 5% (●)

Art.	A	B	H	h1	d	d1 <sub>6H</sub>	Q	🔒
L27450.HNM05HIN	50	15	24	17	14	M5	9	--
L27460.HNM06HIN	60	15	24	17	14	M6	9	--
L27472.HNM08HIN	72	15	24	17	14	M8	9	--
L27472.HNM10HIN	72	15	24	17	14	M10	9	--



Arbel Agencies LTD.  
11 Ba'alei Hamelacha st. Qiryat Bialik P.O.B 1095, ZIP 2751311, ISRAEL  
+972(0)48736969 ☎ +972(0)48730708 📠 info@arbel-ltd.com 🌐 www.arbel-ltd.com 🌐

