

L250CIN

FULL STAINLESS STEEL WING NUT WITH FEMALE THREADED HOLE



INOX

Materials:

Precision-cast stainless steel, (Aisi 304).

Surface finish:

Satin.

Colour:

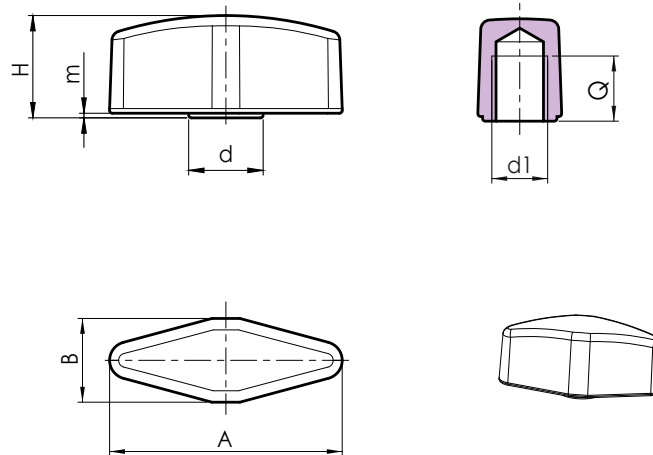
Natural

Hole:

Female threaded hole, obtained by further processing (thread tolerance 6H).

Special Requests:

- Upon request and for special quantities the wing nut can be supplied in Aisi 316 stainless steel.



Stock availability as % (🛒)
90% (●) - 40% (●) - 5% (●)

Art.	A	B	H	m	d	d1 ^{6H}	Q	📦
L25025.HM06CIN	25	9	11	0,5	8	M6	6	8
L25030.HM08CIN	30	11	13.5	0,5	10	M8	8	16
L25036.HM10CIN	36	13	15.5	0,5	12	M10	9	27



Arbel Agencies LTD.
11 Ba'alei Hamelacha st. Qiryat Bialik P.O.B 1095, ZIP 2751311, ISRAEL
+972(0)48736969 ☎ +972(0)48730708 📠 info@arbel-ltd.com 📧 www.arbel-ltd.com 🌐

