

KS

ADAPTER FOR INDICATOR



Materials:

Reinforced and stabilized polyamide.
Resistant to oils and greases.

Surface finish:

Satin.

Colour:

Black (RAL 9011).

Alternative adapter colours:

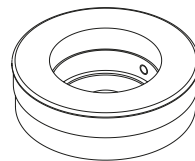
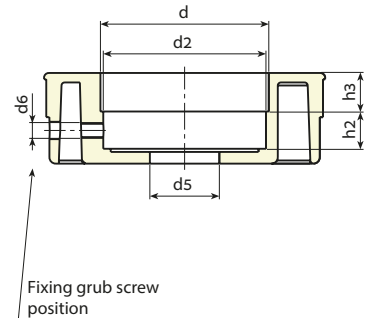
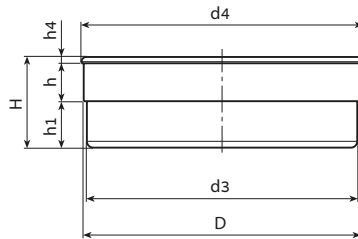
- Orange (RAL 2004 cod. 02).
- Blue (RAL 5015 cod. 07).
- Yellow (RAL 1021 cod. 10).
- Red (RAL 3000 cod. 16).
- Green (RAL 6024 cod. 17).
- Grey (RAL 7035 cod. 13).

Attention:

Indicator grub screw not supplied.

Special Requests:

- None.



Stock availability as % (🛒)
90% (●) - 40% (●) - 5% (●)

🛒	art.	D	d	d2	d3	d4	d5	d6	H	h	h1	h2	h3	h4	🛒
●	KS080.05001	87,4	52,4	51.5	85.5	89	22	M6	28.5	14	14.5	11.8	12.2	2	80