

# K901



## SOLID CONTROL HANDWHEEL WITH INDICATOR SEAT AND LOCKING KNOB

### Materials:

Reinforced and stabilized polyamide.  
Resistant to oils and greases.

### Surface finish:

Satin.

### Colour:

Black (RAL 9011).

### Insert:

Galvanised steel insert with smooth through bore (tolerance H10).

### Mountable indicator:

Use gravity position indicators models K650 or K660. The indicator can be only used in a vertical position (horizontal machine axis). The indicator and the corresponding grub screw must be purchased separately. For further information on the indicators see the pages of articles K650 and K660 [page 362 363 and page 364 365].

(\*) With adapter KS08050.T01 you can mount the indicator K650050.



### Locking handwheel:

Cylindrical handwheel G793-36 with threaded stud [page ]. Black (RAL 9011). ATTENTION: dimension Q2 of the locking handwheel must be chosen by the customer based on the dimensions of the machinery on which the handwheel is applied. For model K901-130 the locking handwheel is replaced by the wing nut L751-32 [page 383].

### Fixing method:

For fixing systems, or execution of keyways or square holes, please refer to the technical notes attached to the catalogue [page 814].

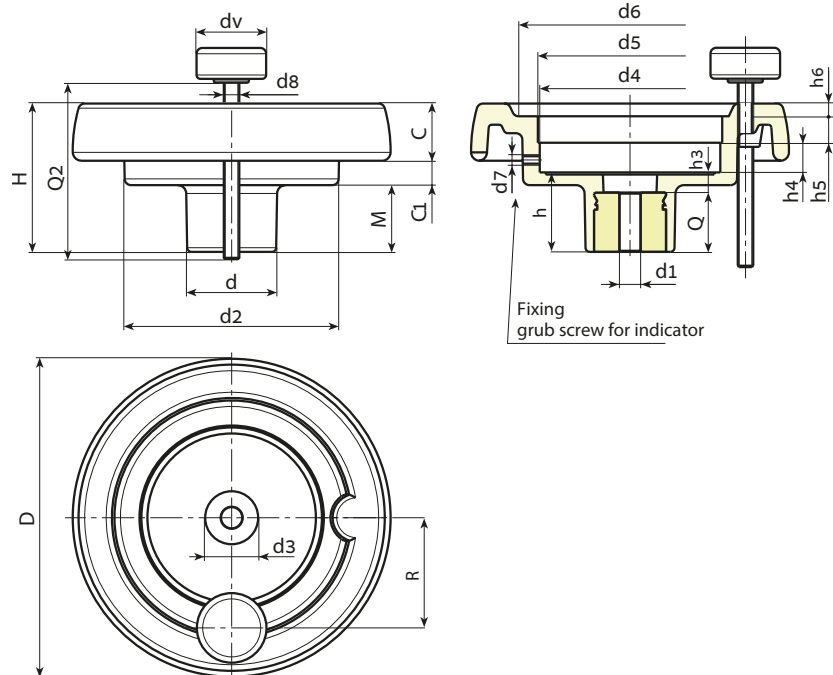
### Special Requests:

- Upon request and for a minimum of 50 pieces inserts can be supplied with hole d1 with tolerance H7 and black oxide treated finish. Add letters ZB to the standard code. Example: K901100.T050D1001PZB.
- Upon request and for special quantities inserts can be supplied with custom hole diameter d1.
- Upon request and for special quantities inserts can be supplied in different materials/with different coatings.
- **The indicator must be ordered separately.**
- Upon request and for special quantities it is possible to change the indicator seat.

### Combinations Diameters/Indicators:

d5=52.4 --> K650050

d5=87.4 --> K650080 or K660080



Stock availability as % (🛒)  
90% (●) -40% (●) -5% (●)

art.	D	H	d	d2	M	C	C1	d3	d4	d5	d6	d7	h	h3	h4	h5	h6	R	d8	Dm	d1H10	Q	🛒	
K901130.T080P6,801P	129	64.5	42	100	27.5	23	14	29	85.7	87,4*	90	M6	34	10	13.5	12.5	5	54	M8	20	6.8	24	370	
K901150.T080P6,801P	149	69	42	101	31	25.5	12.5	29	85.7	87,4*	106	M6	37	9	13.5	12.5	6.5	57	M8	20	6.8	28	470	
K901175.T080P6,801P	175	72	40	115	28.5	32	11.5	25	85.7	87,4*	126.5	M6	38	10	12.5	14	8	60	M8	20	6.8	28	690	
K901200.T080P6,801P	199	71	46	137	24	32	15	29	123	87,4	144	M6	34	11	13.5	12.5	10	74	M8	22	6.8	23	850	

Attention: For a minimum of 50 pieces the diameter d1 can be customised (hole tolerance H10 galvanised and H7 black-oxide treated).

Dm = Maximum obtainable diameter for subsequent machining (widening).

Q2 = Upon request.

dv = 36 mm. (K901130 dv=32 mm)



Arbel Agencies LTD.

11 Ba'alei Hamelacha st. Qiryat Bialik P.O.B 1095, ZIP 2751311, ISRAEL

+972(0)48736969 ☎ +972(0)48730708 📠 info@arbel-ltd.com 📧 www.arbel-ltd.com 🌐

