

# K870

## INDICATOR ADAPTER FOR SPOKE HANDWHEEL



### Materials:

Reinforced polyamide. Resistant to oils and greases.

### Surface finish:

Satin.

### Colour:

Black (RAL 9011).

### Fixing holes:

The same adapter can be used with several spoke handwheels. To fix it firstly select the pair of holes suitable for the diameter of the handwheel in use (for user convenience the diameters are engraved next to one of the two holes); drill through with a normal 4.5 mm drill bit. Then countersink the hole to accommodate the countersunk screw. The two self-tapping screws (TPS 4X16) are supplied with the adapter. The drawing on the side shows, as an example, the countersunk holes obtained on a K870.T8001 for a Boteco spoke handwheel having a 200 mm diameter.



### Indicator fixing method:

Fasten the indicator with a threaded grub screw M05 inserted in the bore d4, (screw supplied with adapter).

### Adapter compatibility:

Adapter K870.T5001 with indicator K65050 for handwheels D. 130-160

Adapter K870.T8001 with indicator K65080 for handwheels D. 160-200-250-350

### The adapter can be mounted on the following articles:

D205-D206-D208.

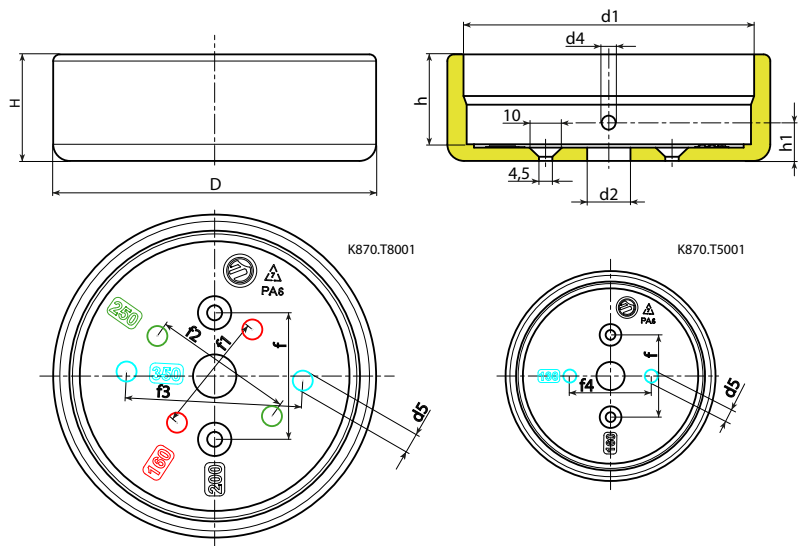
### Special Requests:

- None.

### Combinations Diameters/Indicators:

d1=52.4 --> K650050

d1=87.4 --> K650080 or K660080



Stock availability as % (🛒)  
90% (●) - 40% (●) - 5% (●)

🛒	art.	D	H	h	h1	d1	d2	d3	d4	d5	f	f1	f2	f3	f4	🛒
●	K870.TS5001BASE1	62	29.5	24	12	52,4	13	4.5	M5	6	36	-	-	-	25	74
●	K870.TS8001BASE1	97	32	27	11.5	87,4	13	4.5	M5	6	36	38	42	53	-	95