

# K650

## GRAVITY POSITION INDICATOR



PA6

PPMA

UL94  
HB



### Materials:

#### Indicator case:

Glass fiber reinforced polyamide. Resistant to oils and greases.

#### Transparent cover:

Polymethylmethacrylate (PMMA).

### Surface finish:

All smooth.

### Colour:

#### Indicator case:

Black.

#### Cover:

Transparent.

### Type of case:

#### Normal:

Sealed to dust.

### Gear ratio:

The gear ratio determines the distance to be covered in a given number of revolutions. For example, with a single indicator pointer and a gear ratio of 20, the gear-driven pointer will travel the 360° of the scale every 20 turns of the handwheel, that is, the total setting distance must fall within a single turn of the pointer.

### Rotation direction (SR):

O = increase of values with clockwise rotation

A = increase of values with counter clockwise rotation

### Pointers:

The indicator can be supplied with one or two pointers:

#### One pointer (F1) 1:

One pointer that spins according to the gear ratio.

#### Two pointers (F2) 2:

One pointer turns according to the gear ratio, whereas the second one turns with a ratio of 1:1.

### Graduated scale:

Graduated scale printed in black. With standard graduation, with start and end of the scale combined with the chosen gear ratio. For example, with a gear ratio of 20 the first number of the scale will be 0 and the last number will be 20. Progression of numbers clockwise or counterclockwise depending on the chosen direction of rotation.

### Special Requests:

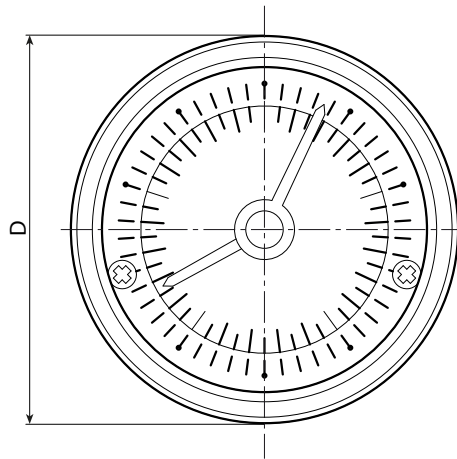
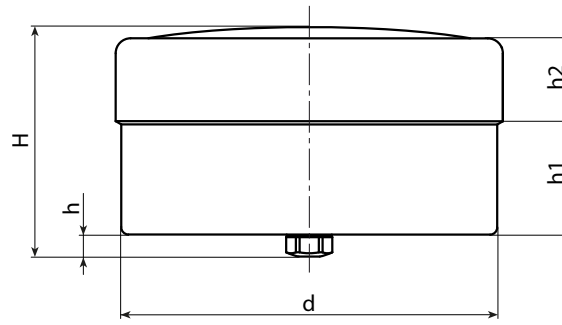
- Upon request and for special quantities, only for position indicators K650-50 and K650-80, the transparent cover can be supplied in acetone resistant PA6.
- Upon request and for special quantities, only for position indicator K650-80, the transparent cover can be replaced with one in mineral glass.
- Upon request and for special quantities, the position indicators can be supplied filled with paraffin oil with anti-condensation or anti-vibration function.
- Upon request and for special quantities, only for position indicator K650-80, it can be supplied with the possibility of having a zero reset function.
- Upon request and for special quantities, the position indicators can be supplied with a waterproof case.
- Upon request and for special quantities, the graduated scale can be supplied to customer's drawing (both the scale values and the addition of logos or graphics).
- Upon request and for special quantities, the graduated scale can be printed in two or three colours.



Stock availability as % (🛒)  
90% (●) - 40% (●) - 5% (●)

# K650

## GRAVITY POSITION INDICATOR



K

### Options to specify in the order (GR-SR-F1-F2)



Stock availability as % (🛒)  
90% (●) - 40% (●) - 5% (●)

art.	D	d	H	h	h1	h2	GR	SR	F1	F2	📦
K650050.....	51.7	50.2	29.2	4.2	14.7	11.5	1-2-3-6-10-12-15-18-20-24-30-36-48-50-60-72-84-96-100	O-A	1	2	100
K650070.....	66.8	65	28.5	5	16.2	11.3	1-2-3-6-10-12-15-18-20-24-30-36-48-50-60-72-84-96-100	O-A	1	2	100
K650080.....	86.8	84.8	29.8	5	15.6	12.7	1-2-3-6-10-12-15-18-20-24-30-36-48-50-60-72-84-96-100	O-A	1	2	100

When ordering, please insert the chosen options in the code points.

Example 1:

Example 1: for a position indicator with 80mm diameter. (K650080), - with gear ratio (GR) 12,- with clockwise rotation (SR) O, with two pointers (F2) 2, the complete code is thus formed: K650080.012O2.

or

Example 2: for a position indicator with 70mm diameter. (K650070), - with gear ratio (GR) 100,- with counter clockwise rotation (SR) A, with one pointer (F1) 1, the complete code is thus formed: K650070.100A1.



Arbel Agencies LTD.  
11 Ba'alei Hamelacha st. Qiryat Bialik P.O.B 1095, ZIP 2751311, ISRAEL  
+972(0)48736969 ☎ +972(0)48730708 📠 info@arbel-ltd.com 📧 www.arbel-ltd.com 🌐

