

K617



4-DIGIT NUMERATOR BLOCK WITH CONTROL KNOB

Materials:

(1) Knob:

Glass fiber reinforced polyamide. Resistant to oils and greases.

(5) Block

Polyamide and PMMA.

Shaft connector:

Free-cutting steel.

(2-3) Grub screw:

Steel C40.

Surface finish:

(1-4) Satin.

(5) Smooth.

Colour:

(1) Knob:

Black (RAL 9011 cod. 01).

(5) Block

Black (RAL 9011 cod. 01).

Orange (RAL 2004 cod. 02).

Grey (RAL 7035 cod. 13).

(2-3) Grub screw:

Black-oxide treated.

Shaft connector:

Black-oxide treated.

(4) Cap:

Black (RAL 9011 cod. 01).

Orange (RAL 2004 cod. 02).

Grey (RAL 7035 cod. 13).

Fixing system:

(2) Grub screw DIN 914 for fastening the bush of the numerator block to the shaft.

(2) Grub screw DIN 914 for fastening the knob to the shaft.

ATTENTION:

The block and the control knob are not attached to each other. First of all, the numerator block is secured to the shaft through the grub screw (2), then the control knob is mounted on the shaft by means of grub screw (3).

Inserts:

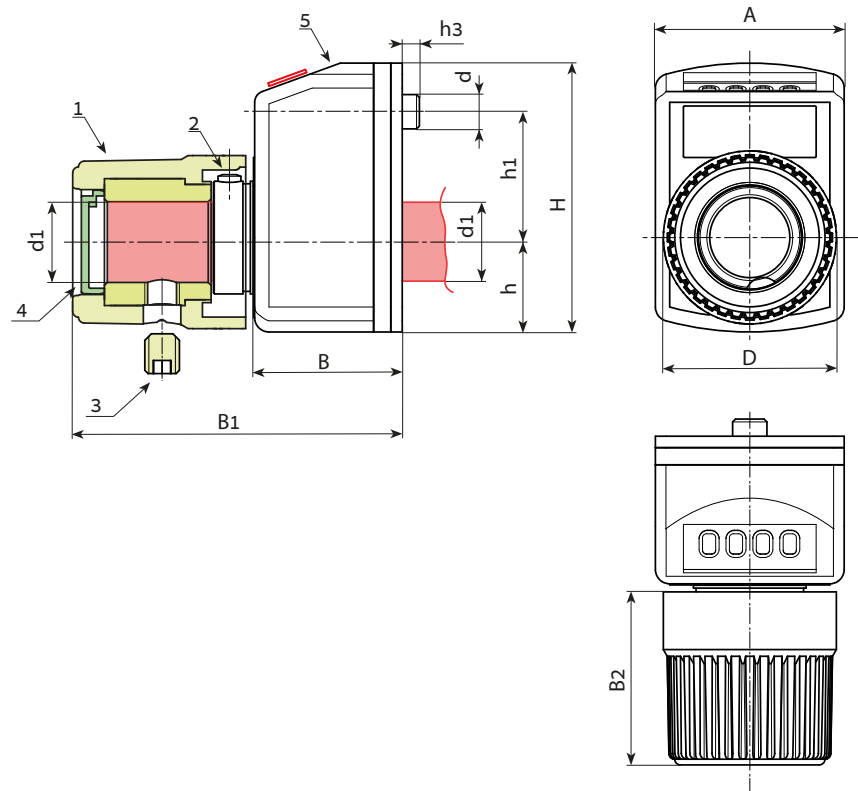
Bush with through hole in galvanized steel (hole tolerance H10), with the same diameter as the numerator block bush.

Numerator block features:

For the technical characteristics of the numerator block see article K610 [page].

Special requests

- Only related to the numerator block.



Stock availability as % (🛒)
90% (●) - 40% (●) - 5% (●)

🛒	art.	A	H	B	B1	B2	h	h1	h3	D	d	d1H10	🛒
●	ART_K617047. TD140102.....	33	47	24	55	32	16,5	22	5	30	6	14	130