

K590

FIXING PLATE FOR NUMERATOR BLOCK



PA6

Zamak

UL94
HB



Material:

Plate:

Die-cast zinc alloy (zamak).

Lever:

Glass fiber reinforced polyamide. See specific data on art. A580.

Surface finish:

Plate:

Smooth, epoxy powder coated.

Lever:

Satin.

Colour:

Black (RAL 9011).

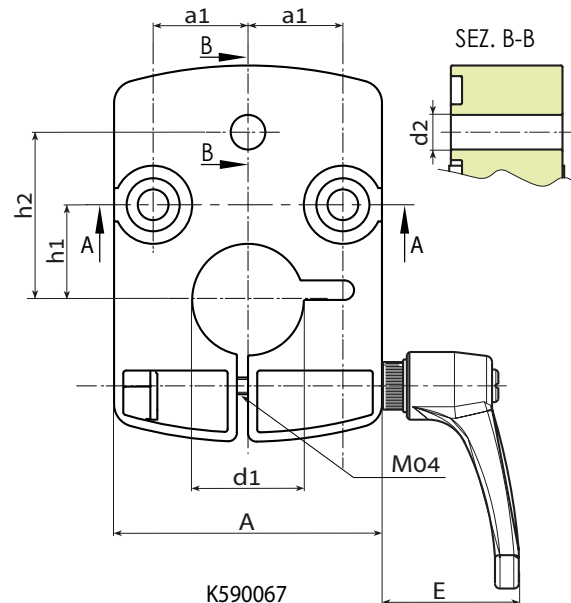
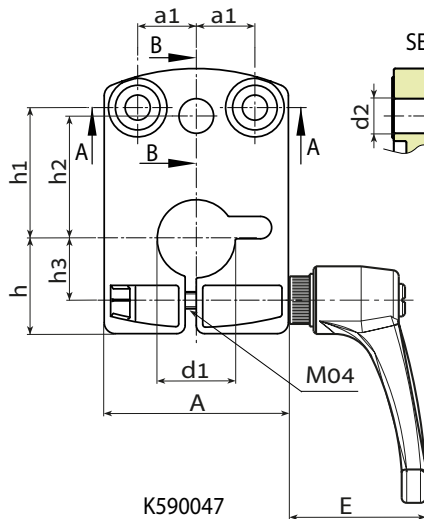
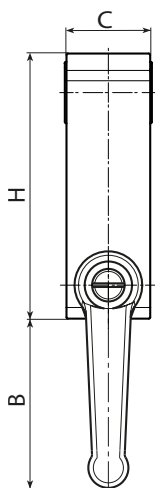
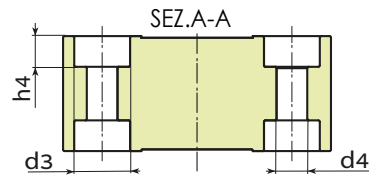
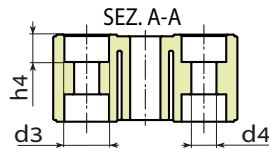
Fixing systems:

Hexagonal socket head cap screw (TCCE) M4 in galvanised steel.

Compatibility:

K590047: For block K610047.

K590067: For block K620067.



Stock availability as % (🛒)
90% (●) - 40% (●) - 5% (●)

| art. | H | A | C | B | E | a1 | h | h1 | h2 | h3 | h4 | d2 | d3 | d4 | d1 | 🛒 |
|------------------|------|----|----|----|----|------|----|------|----|----|-----|-----|----|-----|----|-----|
| ● K590047.TD14P1 | 47,5 | 33 | 15 | 38 | 33 | 10.5 | 17 | 23.5 | 22 | 11 | 4.9 | 6.2 | 8 | 4.5 | 14 | 105 |
| ● K590067.TD20P1 | 67.4 | 48 | 20 | 34 | 33 | 17 | - | 17 | 30 | - | 5.5 | 6.2 | 10 | 5.5 | 20 | 165 |