

# K405

## SPOKE HANDWHEEL WITH INDICATOR SEAT



### Materials:

Reinforced and stabilized polyamide. Resistant to oils and greases.

### Surface finish:

Satin.

### Colour:

Black (RAL 9011).

### Insert:

Galvanised steel insert with smooth through bore (tolerance H10).

### Hub:

Solid Hub.

(\*) Lightweight hub.

### Mountable indicator:

Gravity position indicator with 50/80mm diameter (models K650-K660). The indicator can be only used in a vertical position (horizontal machine axis). The indicator must be purchased separately. For further information see article K650 [page 362 363].

### Indicator fixing method:

Fasten the indicator with a threaded grub screw M05 inserted in the bore d4, (screw supplied with adapter).

### Handwheel fixing method:

The handwheel is fixed to the shaft using a thrust pin (not supplied) to be inserted on the threaded hole d2.

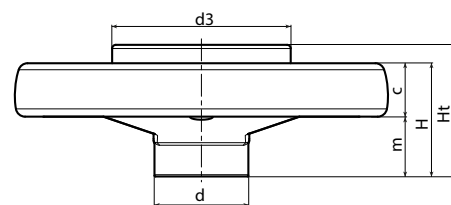
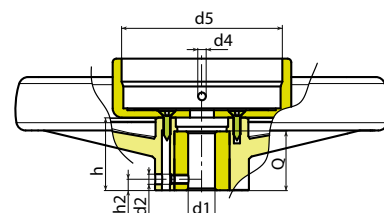
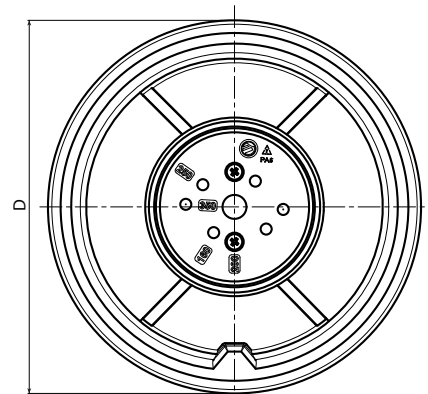
### Special Requests:

- Upon request and for a minimum of 50 pieces inserts can be supplied with hole d1 with tolerance H7 and black oxide treated finish. Add letters ZB to the standard code. Example: K405130.T050D0801ZB.
- Upon request and for special quantities inserts can be supplied with custom hole diameter d1.
- Upon request and for special quantities inserts can be supplied in different materials.
- Upon request the handwheels can be supplied with indicator (not assembled for transport).

### Combinations Diameters/Indicators:

d5=52.4 --> K650050

d5=87.4 --> K650080 or K660080



Stock availability as % (🛒)

90% (●) - 40% (●) - 5% (●)

🛒	art.	D	d	m	c	H	Ht	h	h2	d2	d3	d4	d5	Dm	d1H10	Q	📦
●	K405130.T050D0801	129	32	32	18	50	65.5	36	8	M5	62	M5	52,4	18	8	24	314
●	K405160.T050D0801	159	40	34	23	57	69	40.5	8	M5	62	M5	52,4	22	8	32	464
●	K405160.T080D0801	159	40	34	23	57	72	40.5	8	M5	97	M5	87,4	22	8	32	485
●	K405200.T080D0801	198	51	33	28.5	61.5	71	39.5	8	M5	97	M5	87,4	22	8 (*)	32	725
●	K405250.T080D0801	252	55.5	38.5	31.5	70	79	47	8	M5	97	M5	87,4	28	8 (*)	36	1015
●	K405350.T080D0801	346	67.5	43.5	36.5	80	81.5	49.5	8	M5	97	M5	87,4	30	8 (*)	32	1625

Attention: For a minimum of 50 pieces the diameter d1 can be customised (hole tolerance H10 galvanised and H7 black-oxide treated).  
Dm = Maximum obtainable diameter for subsequent machining (widening).