

K170

LOBED HANDWHEEL FOR INDICATOR



Materials:

Reinforced polyamide. Resistant to oils and greases.

Surface finish:

Satin.

Colour:

Black (RAL 9011).

Mountable indicator:

Gravity position indicator model K650080. The indicator can be only used in a vertical position (horizontal machine axis). The indicator must be purchased separately. For further information see article K650 [page 362 363].

Insert:

Galvanised steel insert with smooth through bore (tolerance H10) with key according to the dimension of the bore.

Indicator fixing method:

Fix the indicator with a threaded grub screw M05 (not supplied) to be inserted in the special bore M05.

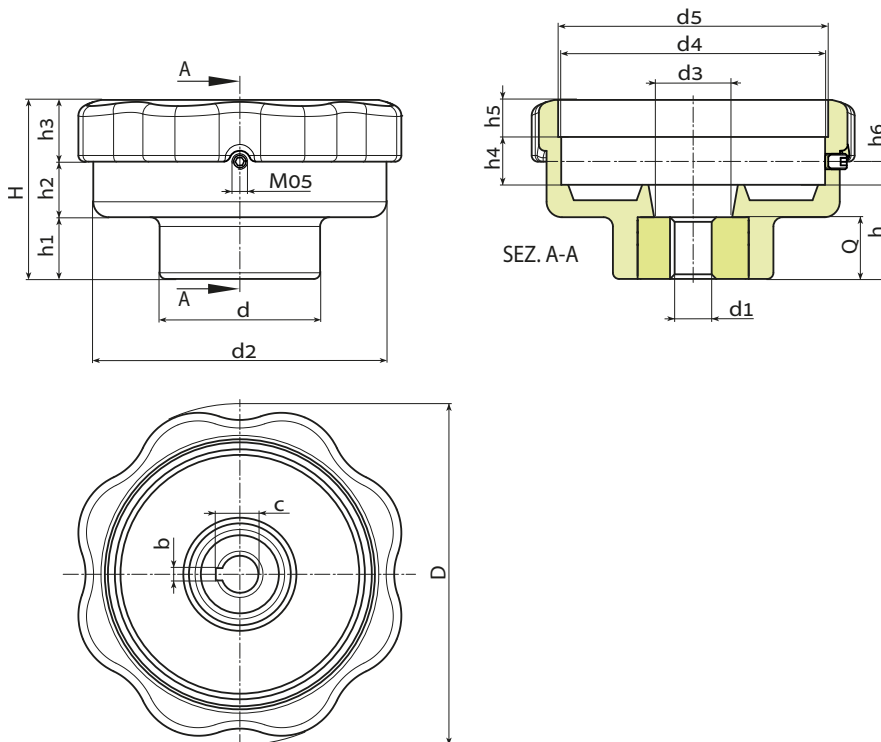
Special Requests:

- Upon request and for a minimum of 50 pieces inserts can be supplied with hole d1 with tolerance H7 and black oxide treated finish. Add letters ZB to the standard code. Example: K170110.T80D1201ZB.
- Upon request and for special quantities inserts can be supplied with custom hole diameter d1.
- Upon request and for special quantities inserts can be supplied in different materials.

Combinations Diameters/Indicators:

d5=52.4 --> K650050

d5=87.4 --> K650080 or K660080



Stock availability as % (🛒)
90% (●) - 40% (●) - 5% (●)

| art. | D | H | h | h1 | h2 | h3 | h4 | h5 | h6 | d | d2 | d3 | d4 | d5 | d1H10 | Q | g |
|---------------------|-----|----|------|----|----|----|------|----|-----|----|----|----|------|------|-------|----|-----|
| ● K170110.T80D1201H | 110 | 58 | 30.5 | 20 | 18 | 20 | 15.5 | 12 | 7.5 | 52 | 95 | 25 | 85.5 | 87,4 | 12 | 20 | 230 |