

J800

PRESSURE TIP (SPARE PART)



Materials:

- (1) Free-cutting steel threaded stud.
- (2) Pair of steel threaded lock nuts (DIN 913).
- (3) Chloroprene rubber pressure tip (neoprene). Hardness 75 Shore.

Surface finish:

Smooth.

Colour:

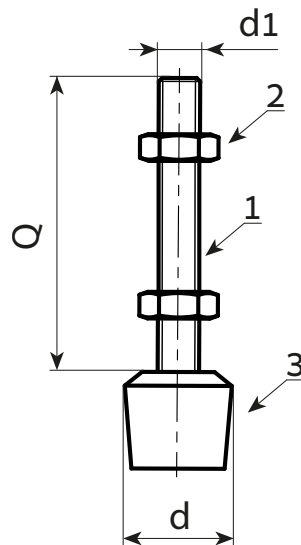
- (2) Black (RAL 9011).
- (1-2) Standard blue galvanising.

Packaging:

Tip supplied with the two nuts mounted.

Special Requests:

- None.



Stock availability as % (🛒)
90% (●) - 40% (●) - 5% (●)

art.	d	d1	Q	🛒
J80015.TM06X3201	15	M6	32	14
J80015.TM06X4401	15	M6	44	14
J80020.TM08X5401	20	M8	54	35
J80025.TM10X7501	25	M10	75	74



Arbel Agencies LTD.
11 Ba'alei Hamelacha st. Qiryat Bialik P.O.B 1095, ZIP 2751311, ISRAEL
+972(0)48736969 ☎ +972(0)48730708 📠 info@arbel-ltd.com 🌐 www.arbel-ltd.com 🌐

