

# J305

## PLASTIC CAM FOR SIMPLE LATCHING



### Materials:

Reinforced polyamide.  
Resistant to oils and greases.

### Surface finish:

Satin.

### Colour:

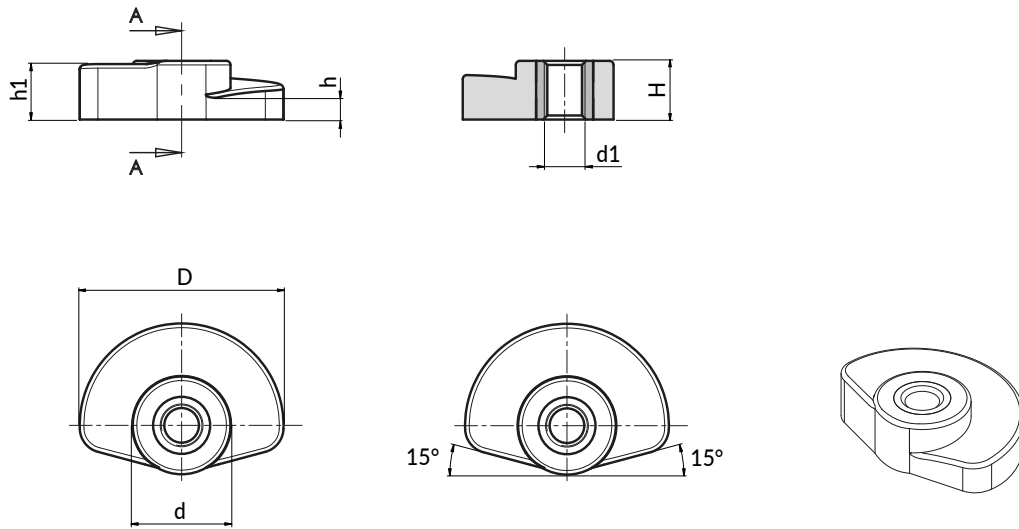
Black (RAL 9011).

### Inserts:

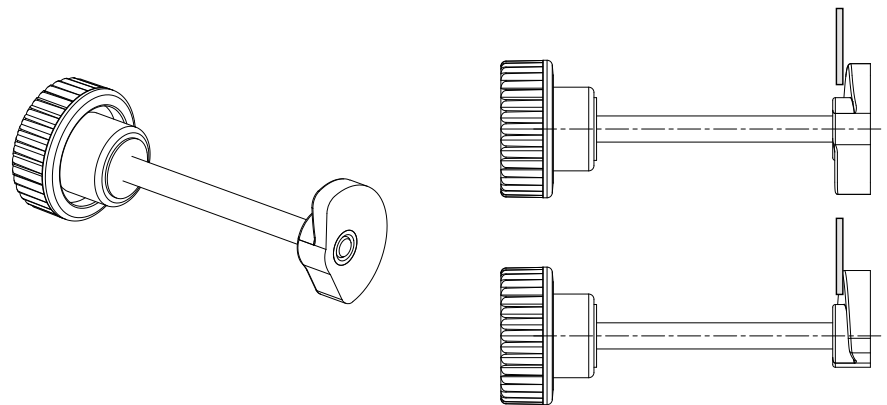
Brass insert with threaded through hole (thread tolerance 6H).

### Special Requests:

- None.



This cam can be used in combination with any handwheel with stud. In this way, as illustrated in the sketch to the side, the assembly becomes a simple latch for securing doors. Turning the handwheel also rotates the cam, which, being a spiral shape, varies the grip thickness to latch onto the door.



Stock availability as % (🛒)  
90% (●) - 40% (●) - 5% (●)

art.	D	d	H	h	h1	d1 <sup>6H</sup>	🔒
J30525.TM0501	25	12	7,2	3	6,8	M5	3



Arbel Agencies LTD.  
11 Ba'alei Hamelacha st. Qiryat Bialik P.O.B 1095, ZIP 2751311, ISRAEL  
+972(0)48736969 ☎ +972(0)48730708 📠 info@arbel-ltd.com 🌐 www.arbel-ltd.com 🌐

