

# J290



TPV

DD13

UL94  
HB



## LIGHT TOGGLE CLAMP WITH THRUST ROD AND RUBBER HANDLE

### Materials:

- (1) TPV thermoplastic rubber handle. Hardness 75 Shore.
- (2) Sheared and bent base and lever system in sheet metal (DD13).
- (3) Rotation pins and fixing rivets in stainless steel (Aisi 304).
- (4) Thrust rod with threaded hole in free-cutting steel.

### Surface finish:

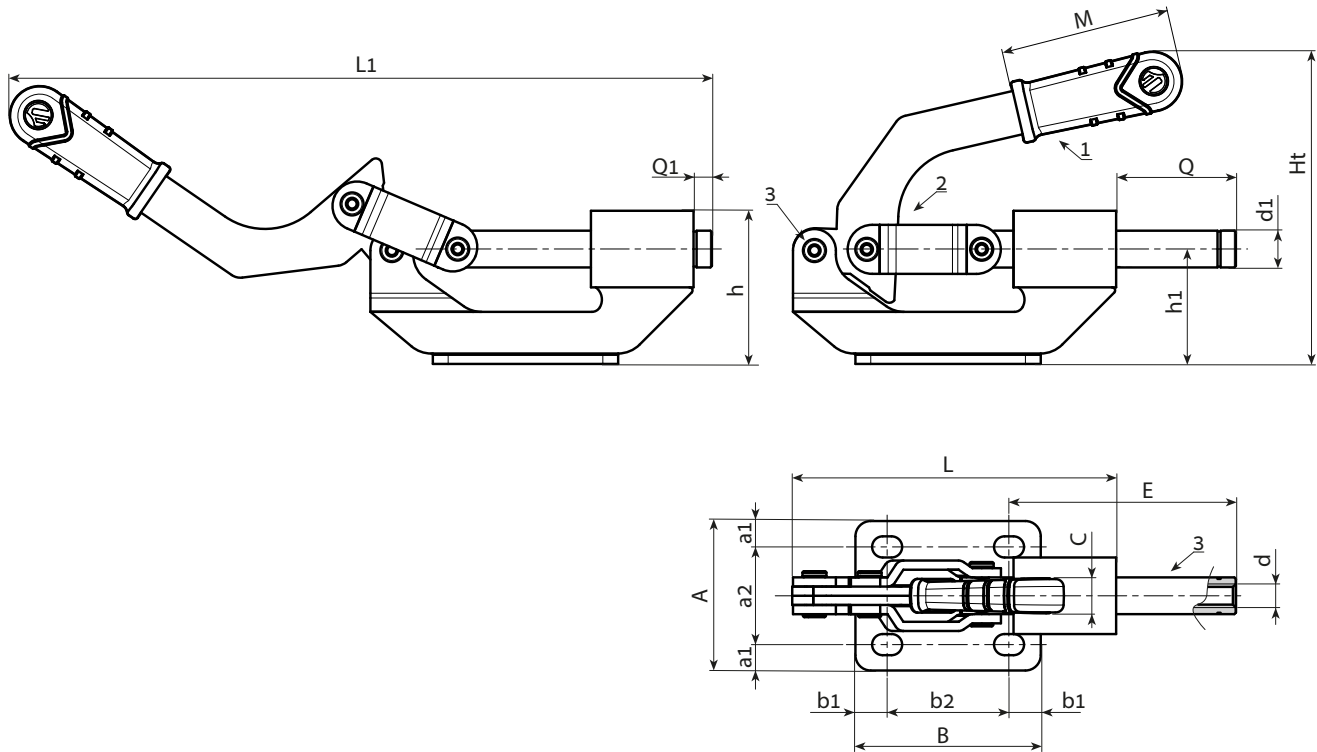
Smooth.

### Colour:

- (1) Red (RAL 3000).
- (4) Black-oxide treated.
- (2) Standard blue galvanising.

### Special Requests:

- None.



Stock availability as % (🛒)  
90% (●) -40% (●) -5% (●)

art.	F1 (Kg)	L	L1	Ht	h	h1	A	B	C	E	M	Q	Q1	s	a1	a2	b1	b2	d	d1	o	p	🛒	
J290022.FZ16	220	107	234	98	47	34	49	60	12,5	79	65	41	3	3	8,5	32	10	40	M8	12	10	7	458	

### Arbel Agencies LTD.



11 Ba'alei Hamelacha st. Qiryat Bialik P.O.B 1095, ZIP 2751311, ISRAEL  
 +972(0)48736969 ☎ +972(0)48730708 📠 info@arbel-ltd.com 📧 www.arbel-ltd.com 🌐

