

J278



VERTICAL STEEL TOGGLE CLAMP WITH RUBBER HANDLE AND WITHOUT BASE

Materials:

- (1) TPV thermoplastic rubber handle. Hardness 75 Shore.
- (2) Free-cutting steel threaded stud.
- (3) Chloroprene rubber pressure tip. Hardness 75 Shore.
- (4) Steel lock nut (DIN 934).
- (5) Sheared and bent base and lever system in sheet metal (DD13).
- (6) Rotation pins and fixing rivets in stainless steel (Aisi 303).
- (7) Bent washers in sheet metal (DD13).

Surface finish:

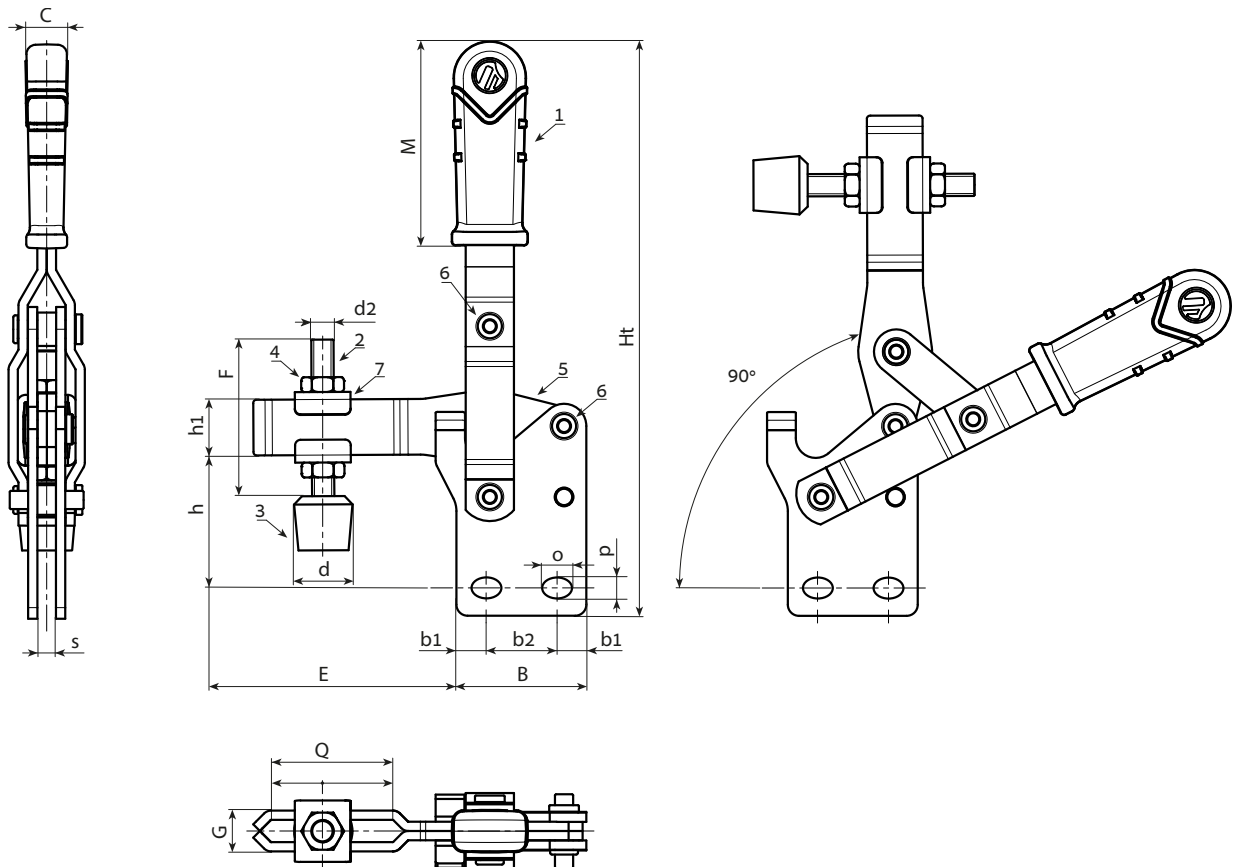
Smooth.

Colour:

- (1) Red (RAL 3000).
- (3) Black (RAL 9011).
- (2-3-4-5-7) Standard blue galvanising.

Special Requests:

- None.



Stock availability as % (🛒)
90% (●) - 40% (●) - 5% (●)

art.	F1 (Kg)	B	C	E	F	G	Ht	Q	M	d	d2	o	p	b1	b2	h	h1	s	📦
J278009.FZ16	90	25,5	12	42	32	12,5	112	20	40	15	M6	5,3	5,3	6,4	12,7	29	10	6	167
J276012.FZ16	125	35	12	50	44	11	155	32	55	15	M6	5,3	5,3	8	19	36	15	5	245
J278020.FZ16	200	42,5	12	64	54	14,5	180	40	65	20	M8	9	6,5	10,25	22	42	17,8	6	401
J278030.FZ16	300	56	14,5	83	75	18	225	60	75	25	M10	10,5	8,5	13,5	29	55	20,5	8	783

Arbel Agencies LTD.



11 Ba'alei Hamelacha st. Qiryat Bialik P.O.B 1095, ZIP 2751311, ISRAEL
+972(0)48736969 ☎ +972(0)48730708 📠 info@arbel-ltd.com 📧 www.arbel-ltd.com 🌐

