

J276

VERTICAL STEEL TOGGLE CLAMP WITH BASE AND RUBBER HANDLE



Materials:

- (1) TPV thermoplastic rubber handle. Hardness 75 Shore.
- (2) Free-cutting steel threaded stud.
- (3) Chloroprene rubber pressure tip. Hardness 75 Shore.
- (4) Steel lock nut (DIN 934).
- (5) Sheared and bent base and lever system in sheet metal (DD13).
- (6) Rotation pins and fixing rivets in stainless steel (Aisi 303).
- (7) Bent washers in sheet metal (DD13).

Surface finish:

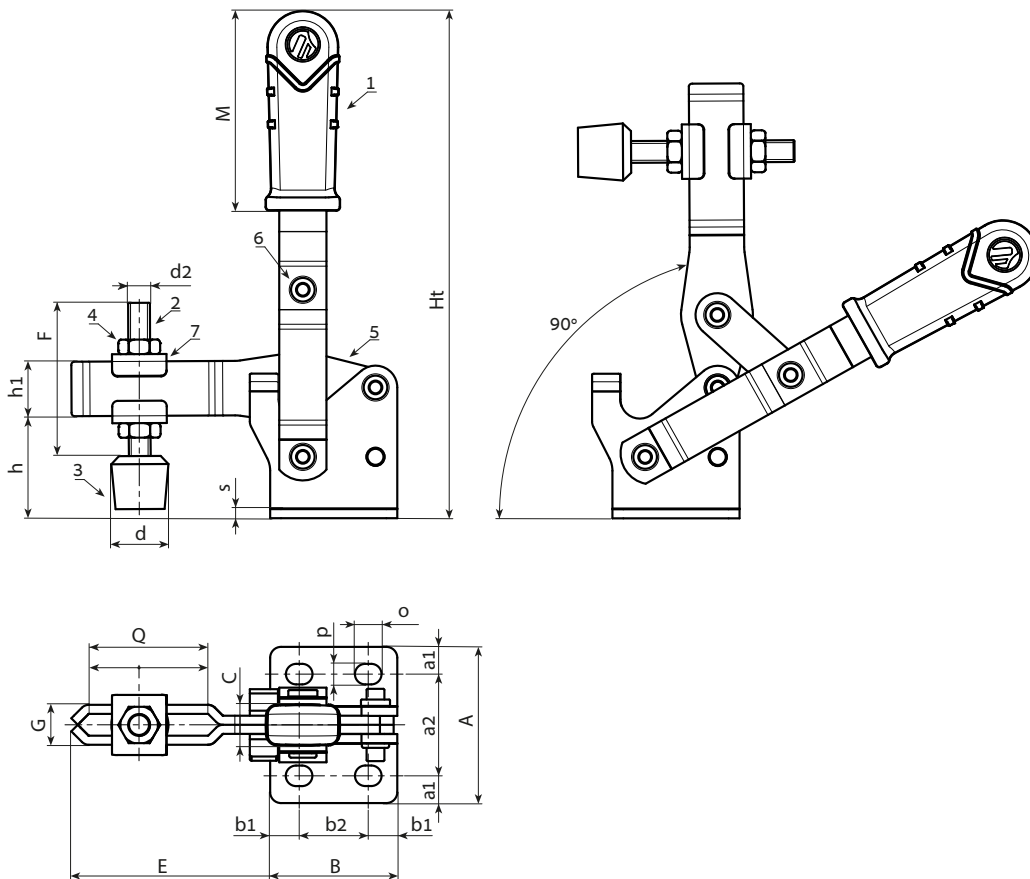
Smooth.

Colour:

- (1) Red (RAL 3000).
- (3) Black (RAL 9011).
- (2-4-5-7) Standard blue galvanising.

Special Requests:

- None.



Stock availability as % (🛒)
90% (●) - 40% (●) - 5% (●)

art.	F1 (Kg)	A	B	C	E	F	G	Ht	Q	M	d	d2	o	p	a1	a2	b1	b2	h	h1	s	🛒
J276009.FZ16	90	40	25	12	42	32	12,5	101	20	40	15	M6	5,5	5,5	6,6	26,8	6,15	12,7	23	10	3	168
J276012.FZ16	120	43	35	12	50	44	11	140	32	55	15	M6	5,5	5,5	7	29	8	19	28	15	2,5	247
J276020.FZ16	200	45	43	12	64	54	14,5	165	40	65	20	M8	9	6,5	6,5	32	10,5	22	34	17,8	3	400
J276030.FZ16	300	64	56	14,5	83	75	18	200	60	75	25	M10	10,5	8,5	9	46	13,5	29	41	20,5	3,5	790

Arbel Agencies LTD.



11 Ba'alei Hamelacha st. Qiryat Bialik P.O.B 1095, ZIP 2751311, ISRAEL
+972(0)48736969 ☎ +972(0)48730708 📠 info@arbel-ltd.com 📧 www.arbel-ltd.com 🌐

