

# J272



## HORIZONTAL STEEL TOGGLE CLAMP WITH BASE AND RUBBER HANDLE

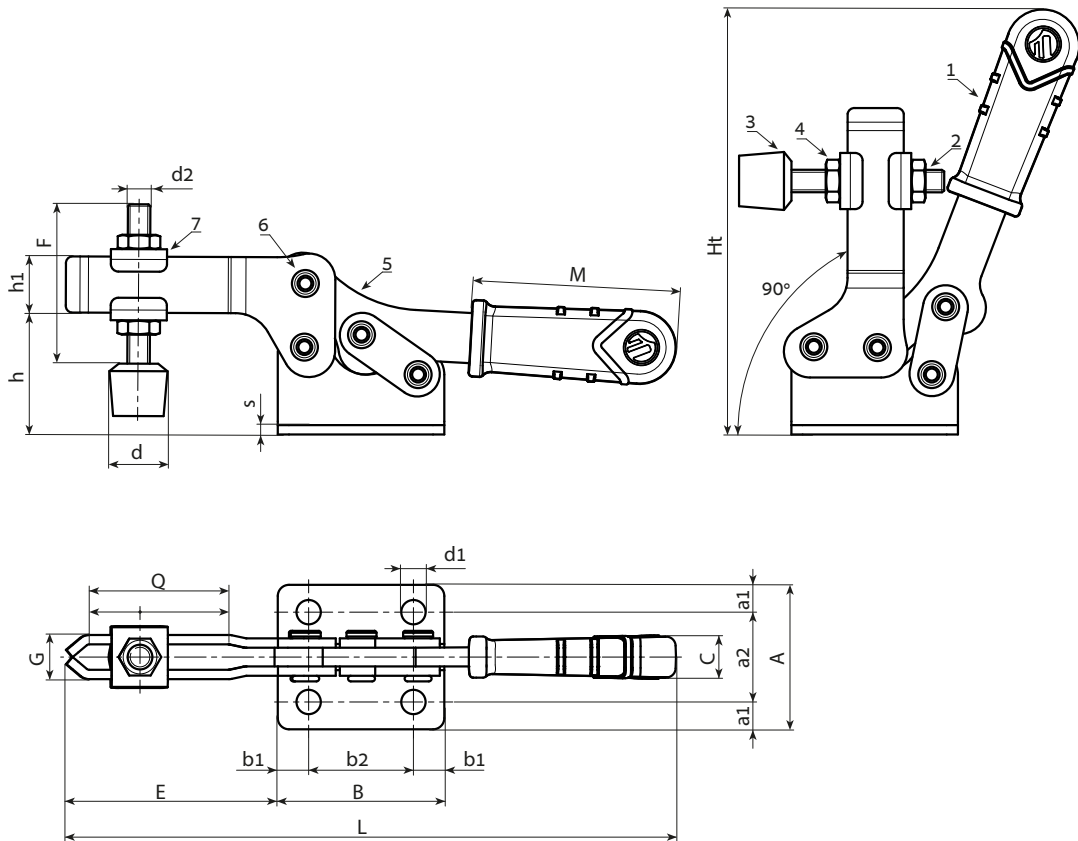
### Materials:

- (1) TPV thermoplastic rubber handle. Hardness 75 Shore.
- (2) Free-cutting steel threaded stud.
- (3) Chloroprene rubber pressure tip. Hardness 75 Shore.
- (4) Steel lock nut (DIN 934).
- (5) Sheared and bent base and lever system in sheet metal (DD13).
- (6) Rotation pins and fixing rivets in stainless steel (Aisi 303).
- (7) Bent washers in sheet metal (DD13).

**Surface finish:**  
Smooth.

**Colour:**  
(1) Red (RAL 3000).  
(3) Black (RAL 9011).  
(2-4-5-7) Standard blue galvanising.

**Special Requests:**  
• None.



Stock availability as % (🛒)  
90% (●) - 40% (●) - 5% (●)

art.	F1 (Kg)	L	A	B	C	E	F	G	Ht	Q	M	d	d1	d2	a1	a2	b1	b2	h	h1	s	📦
J272010.FZ16	100	120	25	29	12	42	32	12,5	86	20	40	15	4,5	M6	5,75	17	7,75	13,5	20,5	11	3	151
J272012.FZ16	120	162	38	44	12	57	44	12	115	32	55	15	6,5	M6	7	24	8	28	32	15	2,5	220
J272020.FZ16	200	190	43	58	12	68	54	14	135	30	65	20	6,5	M8	8	27	9	40	37	16	3	380
J272030.FZ16	300	260	62	79	14,5	100	75	18	204	60	75	25	8,5	M10	11,5	39	11,5	56	51	23	4	840
J272035.FZ16	350	288	62	79	14,5	118	75	18	204	77	75	25	8,5	M10	11,5	39	11,5	56	51	23	4	860

Arbel Agencies LTD.



11 Ba'alei Hamelacha st. Qiryat Bialik P.O.B 1095, ZIP 2751311, ISRAEL  
+972(0)48736969 ☎ +972(0)48730708 📠 info@arbel-ltd.com 📧 www.arbel-ltd.com 🌐

