

# J270

## SMALL HORIZONTAL STEEL TOGGLE CLAMP WITH BASE



### Materials:

- (1) Handle covered with thermoplastic rubber.
- (2) Free-cutting steel threaded stud.
- (3) TPV rubber pressure tip.
- (4) Steel lock nut (DIN 934).
- (5) Sheared and bent base and lever system in sheet metal (DD13).
- (6) Rotation pins and rivets in stainless steel (Aisi 304).
- (7) Sheared and bent washers in sheet metal (DD13).

### Surface finish:

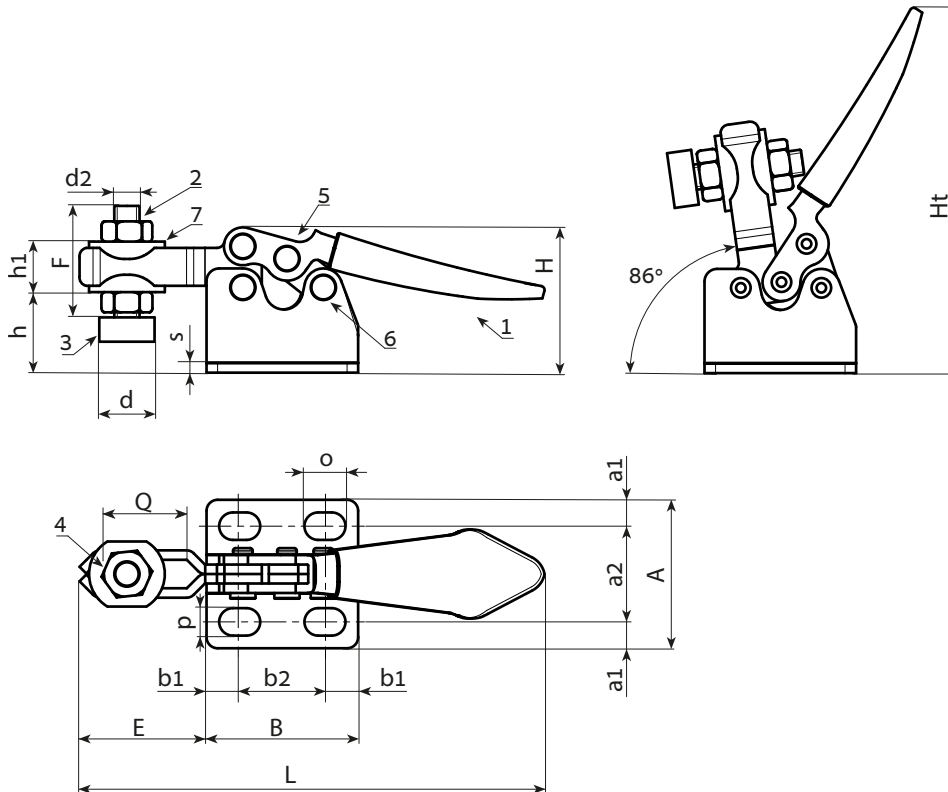
Smooth.

### Colour:

- (1) Yellow.
- (3) Red.
- (2-4-5-7) Standard blue galvanising.

### Special Requests:

- None.



Stock availability as % (🛒)  
90% (●) - 40% (●) - 5% (●)

art.	h	L	A	B	E	F	H	Ht	Q	d	d2	o	p	a1	a2	b1	b2	h1	s	F1 (Kg)	🛒
J270008.FZ10	10	75	24	24	20	17	18	52	13	9	M4	6,5	4,3	4,3	15,4	5,3	13,4	6	1,5	40	26
J270014.FZ10	10	75	24	24	20	17	24	60	13	9	M4	6,5	4,3	4,3	15,4	5,3	13,4	6	1,5	40	29

Arbel Agencies LTD.



11 Ba'alei Hamelacha st. Qiryat Bialik P.O.B 1095, ZIP 2751311, ISRAEL  
+972(0)48736969 ☎ +972(0)48730708 📠 info@arbel-ltd.com 📧 www.arbel-ltd.com 🌐

