

# J255

## NARROW J-HOOK TOGGLE LATCH WITH CATCH PLATE



### Materials:

- (1) Technopolymer handle. Resistant to oils and greases.
- (2) Sheared and bent steel lever system.
- (3) Steel lock nut.
- (4) Stainless steel fixing rivets (Aisi 303).
- (5) Hardened steel hook.
- (6) Hardened and greased retainer bush.
- (7) Sheared and bent steel catch plate.

### Surface finish:

- (1) Light satin.
- (2-3-5-6-7) Smooth.

### Colour:

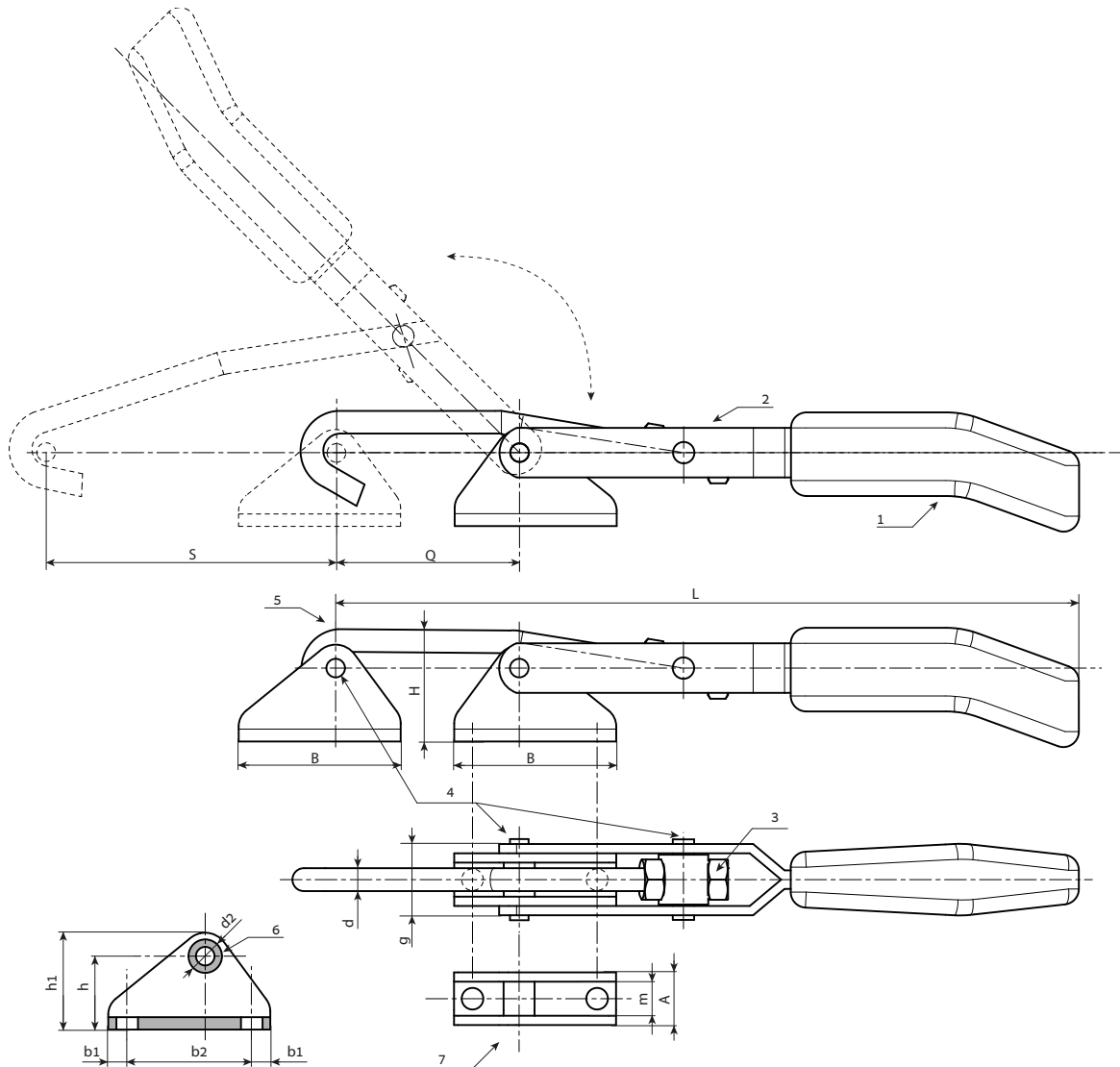
- Two-tone (red and black).
- (2-3-5-6-7) Standard blue galvanising.

### Packaging:

The article comes complete with the corresponding standard catch plate.

### Special Requests:

- None.



Stock availability as % (🛒)  
90% (●) - 40% (●) - 5% (●)

art.	F1 (kN)	L	H	S	Q	d	d2	A	B	b1	b2	g	h	h1	m	🛒
J255030.FZ	3	235÷247	36	93÷105	12	7	7	17	52	7	38	23	23	31	11	23

### Arbel Agencies LTD.



11 Ba'alei Hamelacha st. Qiryat Bialik P.O.B 1095, ZIP 2751311, ISRAEL  
+972(0)48736969 ☎ +972(0)48730708 📠 info@arbel-ltd.com 📧 www.arbel-ltd.com 🌐

