

J250

J-HOOK TOGGLE LATCH WITH CATCH PLATE



PA6
+G.F.

C10

UL94
HB

RoHS
COMPLIANT

Materials:

- (1) Technopolymer handle. Resistant to oils and greases.
- (2) Sheared and bent steel lever system.
- (3) Steel lock nut.
- (4) Stainless steel fixing rivets (Aisi 303).
- (5) Hardened steel hook.
- (6) Hardened and greased retainer bush.
- (7) Sheared and bent steel catch plate.

Surface finish:

- (1) Light satin.
- (2-3-5-6-7) Smooth.

Colour:

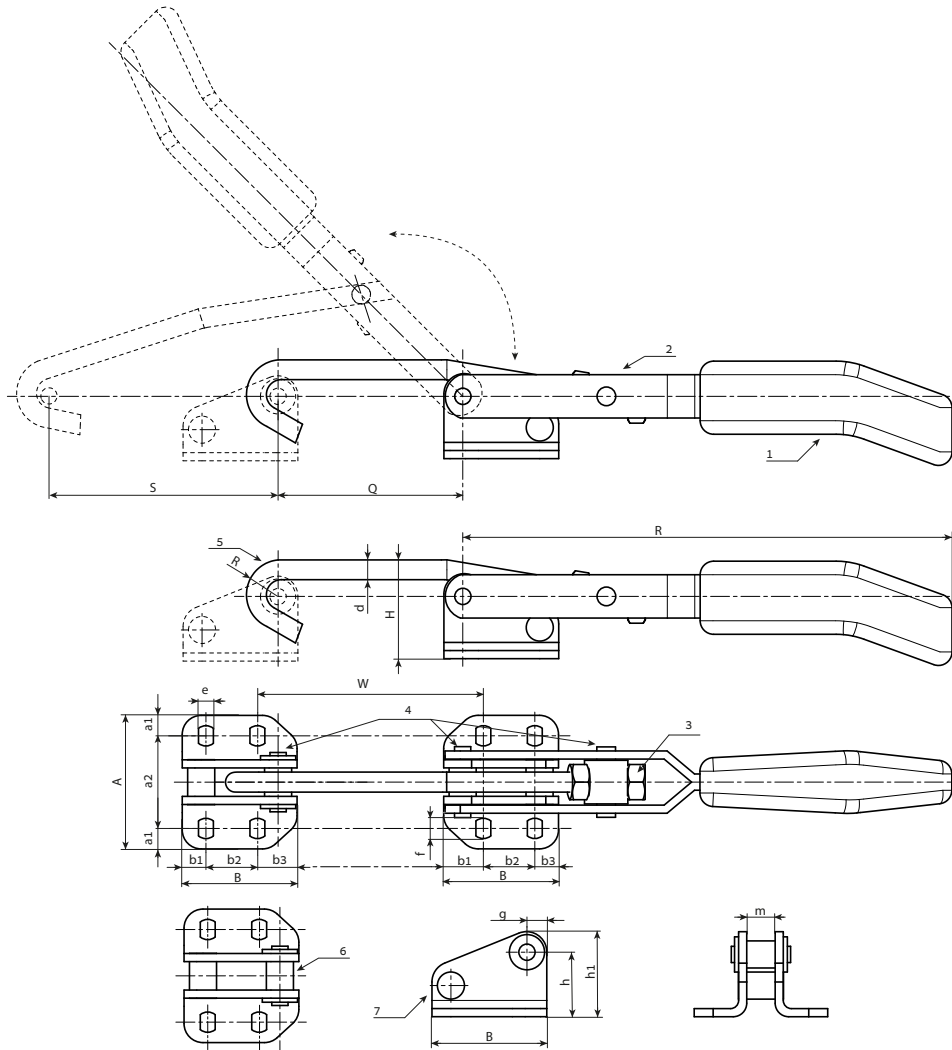
- (1) Two-tone (red and black).
- (2-3-5-6-7) Standard blue galvanising.

Packaging:

The article comes complete with the corresponding standard catch plate.

Special Requests:

- None.



Stock availability as % (🛒)
90% (●) - 40% (●) - 5% (●)

art.	F1 (kN)	R	H	S	Q	R	d	W	A	a2	B	b1	b2	b3	e	f	g	h	h1	m	📦
J250020.FZ	2	97	40	40	30÷38	97	6	32÷41	43	29	33	7	19	7	4.5	6.5	185	27.5	35	6.8	185
J250030.FZ	3	160	40	98	53÷63	160	6.5	71.5÷81	43	34	42	14.5	19	8.5	5.5	7.5	410	23	31	10.8	410
J250050.FZ	5	236	70	144	59÷70	236	11	61÷70	86	60	55	12.5	30	12.5	11	14.5	1260	49	60	13.8	1260

Arbel Agencies LTD.



11 Ba'alei Hamelacha st. Qiryat Bialik P.O.B 1095, ZIP 2751311, ISRAEL
+972(0)48736969 ☎ +972(0)48730708 📠 info@arbel-ltd.com 📧 www.arbel-ltd.com 🌐

