

J190

REVERSE TOGGLE LATCH



C10



Materials:

- (1) Sheared and bent steel body.
- (2) Sheared and bent steel catch plate.
- (3) Moulded and threaded steel hook.
- (4) Stainless steel fixing rivets (Aisi 304).

Surface finish:

Smooth.

Colour:

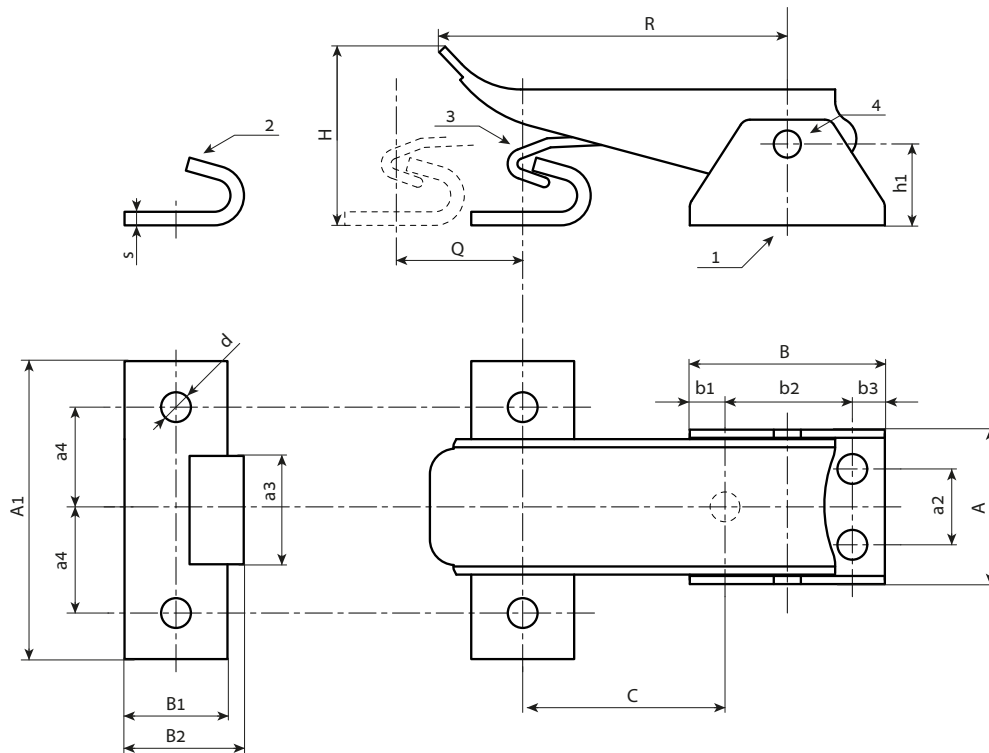
Natural.

Packaging:

The article comes complete with the corresponding standard catch plate.

Special Requests:

- Upon request and for special quantities the article can be supplied in stainless steel.



Stock availability as % (🛒)
90% (●) - 40% (●) - 5% (●)

art.	R	Q	H	C	h1	A	B	A1	B1	b1	b2	b3	a2	a3	a4	s	d	🛒
J190036.FZ	66.5	8	30	35+43	16	28.5	35	55	18	5.5	24	5.5	14	20	19	2.5	5.5	115

Arbel Agencies LTD.



11 Ba'alei Hamelacha st. Qiryat Bialik P.O.B 1095, ZIP 2751311, ISRAEL
+972(0)48736969 ☎ +972(0)48730708 📠 info@arbel-ltd.com 📧 www.arbel-ltd.com 🌐

