

J188

LIGHT DUTY TOGGLE LATCH



Materials:

- (1) Sheared and bent steel body.
- (2) Sheared and bent steel catch plate.
- (3) Moulded and threaded steel hook.
- (4) Stainless steel fixing rivets (Aisi 304).

Surface finish:

Smooth.

Colour:

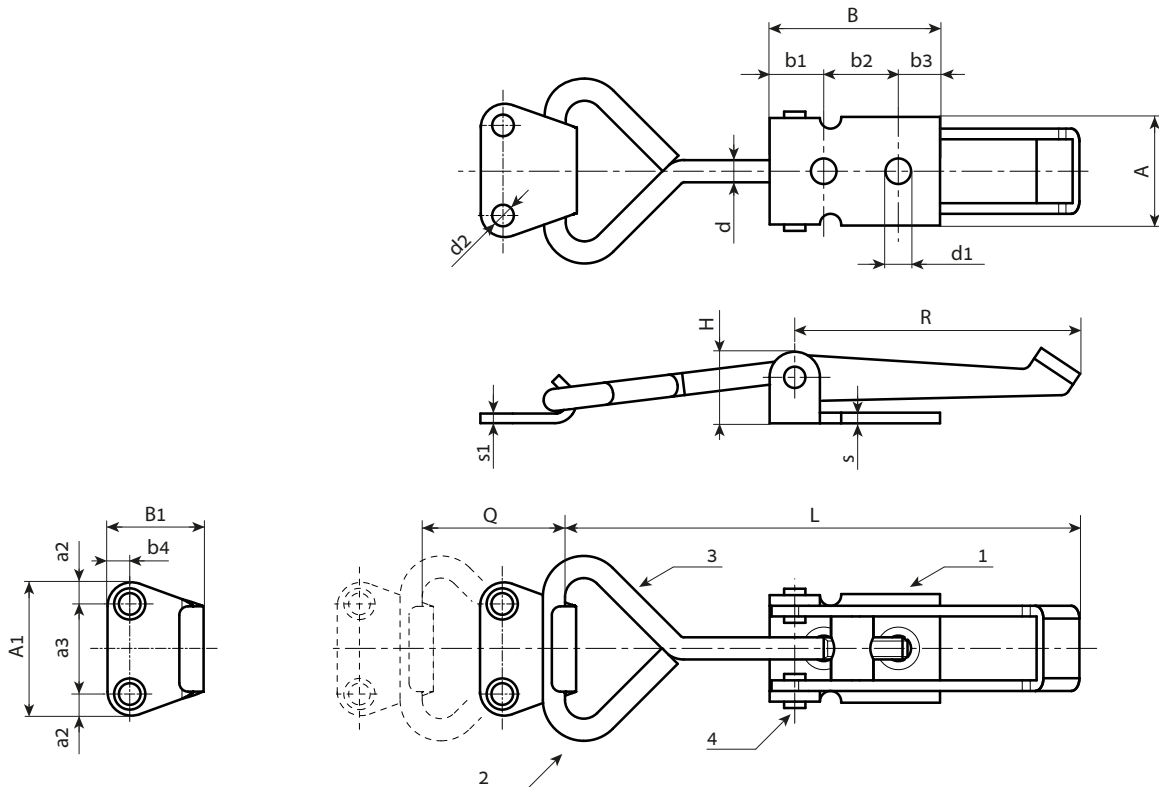
Natural.

Packaging:

The article comes complete with the corresponding standard catch plate.

Special Requests:

- Upon request and for special quantities the article can be supplied in stainless steel.



Stock availability as % (🛒)
 90% (●) - 40% (●) - 5% (●)

art.	R	L	Q	H	A	B	A1	B1	b1	b2	b3	b4	a2	a3	s	s1	d	d1	d2	🛒
J188040.FZ	40	75	0÷15	15	20.5	29.5	25	22	5.5	18	6	4.5	5.5	14	2	2	4	4.7	4.5	56
J188060.FZ	60	98	0÷25	17	25.5	40	30	24	13	17.5	9.5	6	6.5	17	2.5	3	5	6	4.5	83

Arbel Agencies LTD.



11 Ba'alei Hamelacha st. Qiryat Bialik P.O.B 1095, ZIP 2751311, ISRAEL
 +972(0)48736969 ☎ +972(0)48730708 📠 info@arbel-ltd.com 📧 www.arbel-ltd.com 🌐

