

J185

STEEL CATCH PLATE FOR ADJUSTABLE TOGGLE LATCH



Materials:

J185:

Extended drilled catch plate made of sheared steel.

J185CIN:

Extended drilled catch plate made of sheared stainless steel (Aisi 304).

Surface finish:

Glossy.

Colour:

J185:

Standard blue galvanising.

J185CIN:

Natural.

ATTENTION:

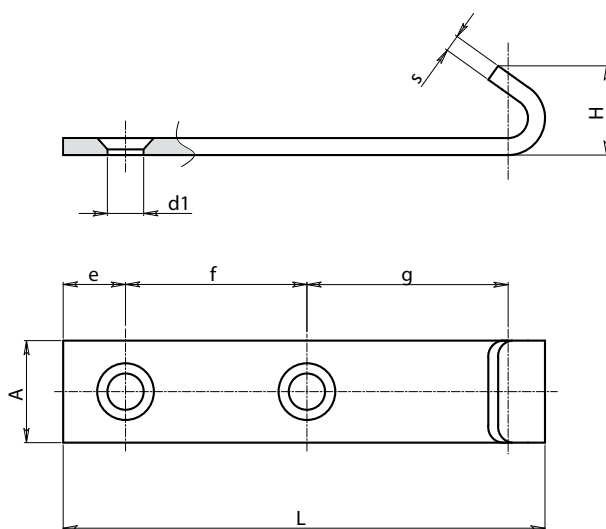
The toggle latch must be ordered separately from the catch plate.

Special Requests:

- None.

COMBINABLE CATCH PLATES:

Catch plate J185065 combinable with toggle latches: J180065-J182065-J180112-J182112.



Version J185 - galvanised steel



Stock availability as % (🛒)
90% (●) - 40% (●) - 5% (●)

Art.	H	L	A	e	f	d1	s	g
J185065.FZ16	16.5	85	18	13.5	29	7	3	40

Version J185CIN - stainless steel



Art.	H	L	A	e	f	d1	s	g
J185065.FZ16CIN	16.5	85	18	13.5	29	7	3	40



Arbel Agencies LTD.

11 Ba'alei Hamelacha st. Qiryat Bialik P.O.B 1095, ZIP 2751311, ISRAEL
+972(0)48736969 ☎ +972(0)48730708 📠 info@arbel-ltd.com 📧 www.arbel-ltd.com 🌐

