

J183

STEEL CATCH PLATE FOR ADJUSTABLE TOGGLE LATCH



Materials:

J183:

Drilled and sheared catch plate made of steel.

J183CIN:

Drilled and sheared catch plate made of stainless steel (Aisi 304).

Surface finish:

Glossy.

Colour:

J183:

Standard blue galvanising.

J183CIN:

Natural.

ATTENTION:

The toggle latch must be ordered separately from the catch plate.

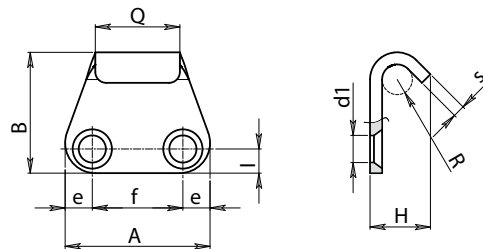
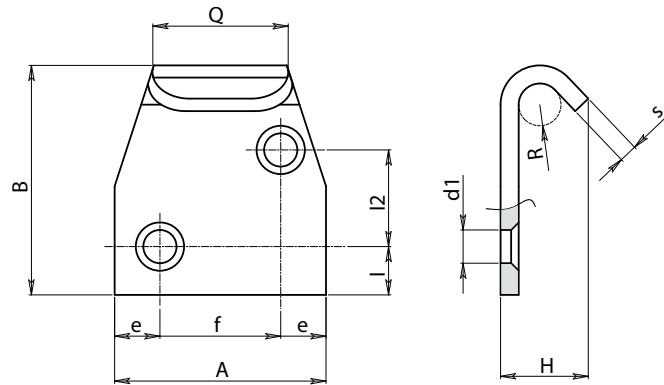
Special Requests:

- None.

COMBINABLE CATCH PLATES:

Catch plate J183048 combinable with toggle latches: J180048-J182048.

Catch plate J183065 combinable with toggle latches: J180065-J182065-J180112-J182112.



Version J183 - galvanised steel



Stock availability as % (🛒)
90% (●) - 40% (●) - 5% (●)

Art.	H	I	I2	A	B	Q	e	f	R	d1	s	g
J183048.FZ10	10	5	-	26	20	14	5.5	15	2.5	5.1	2	7
J183065.FZ14	13.5	8.5	16	35	39	22	7.5	20	3.5	5.5	2	31

Version J183CIN - stainless steel



Art.	H	I	I2	A	B	Q	e	f	R	d1	s	g
J183048.FZ10CIN	10	5	-	26	20	14	5.5	15	2.5	5.1	2	7
J183065.FZ14CIN	13.5	8.5	16	35	39	22	7.5	20	3.5	5.5	2	31

Arbel Agencies LTD.



11 Ba'alei Hamelacha st. Qiryat Bialik P.O.B 1095, ZIP 2751311, ISRAEL
+972(0)48736969 ☎ +972(0)48730708 📠 info@arbel-ltd.com 📧 www.arbel-ltd.com 🌐

