

J182

ADJUSTABLE STEEL TOGGLE LATCH WITH PADLOCK



Materials:

J182:

Adjustable toggle latch made of shear steel with padlock hasp.

J182CIN:

Adjustable toggle latch made of shear stainless steel with padlock hasp (Aisi 304).

Surface finish:

Glossy.

Colour:

J182:

Standard blue galvanising.

J182CIN:

Natural.

ATTENTION:

The catch plate must be ordered separately from the toggle latch.

Special Requests:

- None.

COMBINABLE CATCH PLATES:

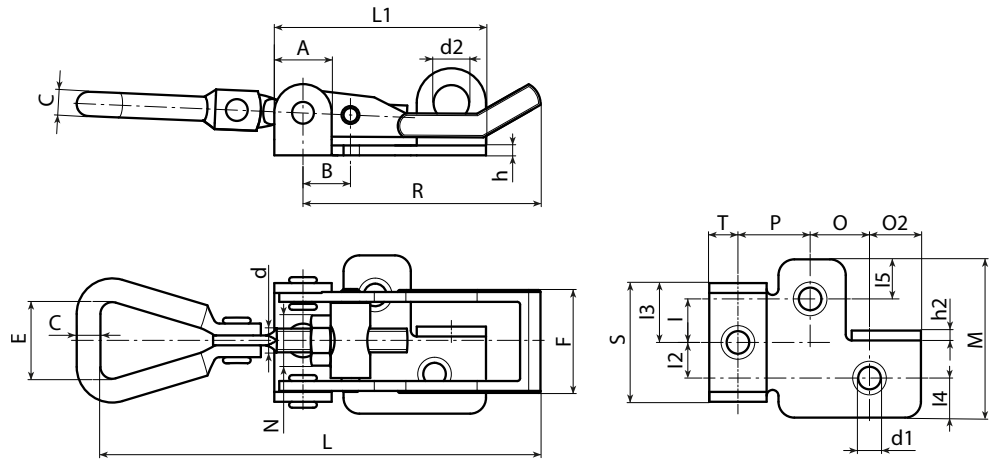
Article J182048 combinable with catch plates: J183048-J184048

Article J182065 combinable with catch plates: J183065-

J184065-J185065

Article J182112 combinable with catch plates: J183065-

J184065-J185065



Version J182: Galvanised steel version.



Stock availability as % (🛒)
90% (●) - 40% (●) - 5% (●)

art.	R	L	L1	A	B	C	d	d1	d2	E	F	h	h2	I	I2	I3	I4	I5	M	O	O2	P	T	S	🛒
J182048.FZ	48	66-75	42.5	11	11	4.3	M5	5.3	7	17	17	2	2	7	7	10	6.5	6.5	27	11	9	11	11.5	20	43
J182065.FZ	65	104-124	53	14	12	5	M5	5.3	9.5	25	26	2.5	2.5	10	10	15	10	10	40	15	12	18	8	30	100
J182112.FZ	112	160-175	70	17	14	7	M6	7	9	31	30	3	3	17.5	16.5	19	13.5	12.5	60	22	13	22	13	38	216

Version J182CIN: Stainless steel version (Aisi 304).



art.	R	L	L1	A	B	C	d	d1	d2	E	F	h	h2	I	I2	I3	I4	I5	M	O	O2	P	T	S	🛒
J182048.FZCIN	48	66-75	42.5	11	11	4.3	M5	5.3	7	17	18	2	2	7	7	10	6.5	6.5	27	11	9	11	11.5	20	43
J182065.FZCIN	65	104-124	53	14	12	5	M5	5.3	9.5	25	26	2.5	2.5	10	10	15	10	10	40	15	12	18	8	30	100
J182112.FZCIN	112	160-175	70	17	14	6.5	M6	7	9	31	30	3	3	18	18	18	60	22	13	22	13	38	216	-	



Arbel Agencies LTD.
11 Ba'alei Hamelacha st. Qiryat Bialik P.O.B 1095, ZIP 2751311, ISRAEL
+972(0)48736969 ☎ +972(0)48730708 📠 info@arbel-ltd.com 📧 www.arbel-ltd.com 🌐

