

J180

ADJUSTABLE STEEL TOGGLE LATCH



Materials:

J180:

Adjustable toggle latch made of sheared galvanised steel.

J180CIN:

Adjustable toggle latch made of sheared stainless steel (Aisi 304).

Surface finish:

Glossy.

Colour:

J180:

Standard blue galvanising.

J180CIN:

Natural.

ATTENTION:

The catch plate must be ordered separately from the toggle latch.

Special Requests:

- None.

COMBINABLE CATCH PLATES:

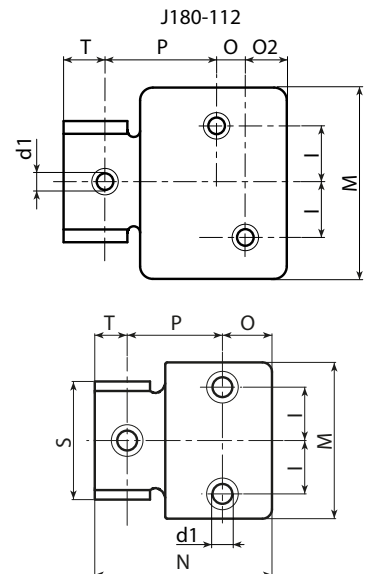
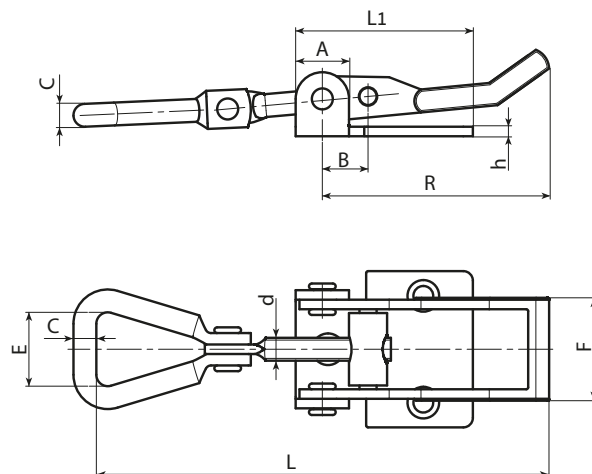
Article J180048 combinable with catch plates: J183048-J184048

Article J180065 combinable with catch plates: J183065-

J184065-J185065

Article J180112 combinable with catch plates: J183065-

J184065-J185065



Version J180: Galvanised steel version.



Stock availability as % (🛒)
90% (●) - 40% (●) - 5% (●)

art.	R	L	L1/N	A	B	C	d	d1	E	F	h	I	M	O	O2	P	T	S	🛒
J180048.FZ	48	66-75	35	10	11	4.3	M5	5.5	18	17	2	7.5	28	9	-	12	14	20	35
J180065.FZ	65	104-124	46	14	12	6	M6	5.1	24	25	3	13	41	13.5	-	24.5	8	31	110
J180112.FZ	112	160-175	70	20	14	7	M8	7.5	34	30	2.5	17.5	60	9	13	35	13	37	210

Version J180CIN: Stainless steel version (Aisi 304).



art.	R	L	L1/N	A	B	C	d	d1	E	F	h	I	M	O	O2	P	T	S	🛒
J180048.FZCIN	48	66-75	35	10	11	4.3	M5	5.5	18	17	2	7.5	28	9	-	12	14	20	35
J180065.FZCIN	65	104-124	46	14	12	6	M6	5.1	24	25	3	13	41	13.5	-	24.5	8	31	110

Arbel Agencies LTD.



11 Ba'alei Hamelacha st. Qiryat Bialik P.O.B 1095, ZIP 2751311, ISRAEL
+972(0)48736969 ☎ +972(0)48730708 📠 info@arbel-ltd.com 📧 www.arbel-ltd.com 🌐

