

# J117

**NEW**

+135°  
-20°

Zamak

C10

RoHS  
COMPLIANT

## UNIVERSAL QUARTER TURN ZAMAK CAM LOCK M22 THREAD WITH SLOTTED HEAD

### Materials:

- (1) Die-cast zamak body M22x1.5 (stator).
- (2) Slotted die-cast zamak groove.
- (3) Die-cast zamak hexagon lock nut M22x1.5.
- (4) Rubber gasket.
- (5) Steel cam (E=0 straight, E=2,4,6,8,10 formed out, E=-2 formed in).
- (6) Phillips steel fixing screw M6x10.

### Surface finish:

#### L117-01

- (1) Satin.
- (2-3-4-5-6) Smooth.

#### L117-L

Smooth.

### Colour:

#### L117-01

- (1) Black epoxy powder coated (RAL 9011).
- (2-3-4-5-6) Standard galvanising.

#### L117-L

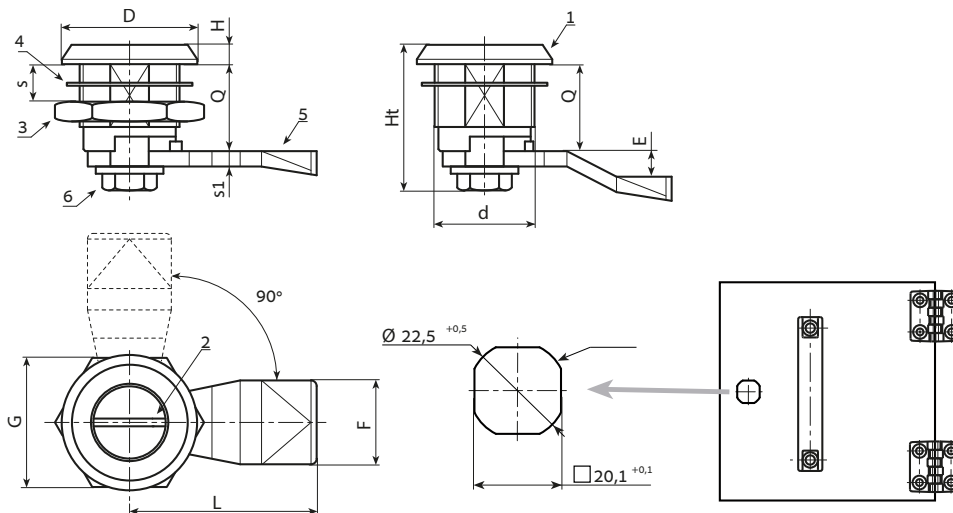
- (1) Bright chrome plating.
- (2-3-4-5-6) Standard galvanising.

### Rotation:

90°.

### Special Requests:

- Cams available for the locks with Q=18 and L=45:
- E=-4 (J11722.Z00E-4X4501),
- E=-2 (J11722.Z00E-2X4501),
- E=+2 (J11722.Z00E02X4501),
- E=+4 (J11722.Z00E04X4501),
- E=+6 (J11722.Z00E06X4501),
- E=+8 (J11722.Z00E08X4501),
- E=+10 (J11722.Z00E10X4501),
- E=+12 (J11722.Z00E12X4501),



### Version J117-01: black coated.

Art.	d	D	L	Q	E	F	G	Ht	H	S(max.)	s1	🔒
J11722.Z00E00X4501	M22	28	45	18	0	19	27	31,5	4	8	4	-

### Version J117-L: chromed.

Art.	d	D	L	Q	E	F	G	Ht	H	S(max.)	s1	🔒
J11722.Z00E00X45L	M22	28	45	18	0	19	27	31,5	4	8	4	-

**BOTECO**  
**LOCKINGS**

Stock availability as % (🛒)  
90% (●) - 40% (●) - 5% (●)

**arbel**  
AGENCIES LIMITED

Arbel Agencies LTD.  
11 Ba'alei Hamelacha st. Qiryat Bialik P.O.B 1095, ZIP 2751311, ISRAEL  
+972(0)48736969 ☎ +972(0)48730708 📠 info@arbel-ltd.com 📧 www.arbel-ltd.com 🌐

**BOTECO**