

I500

PUSH-FIT CONICAL KNOB WITH HOLE



Materials:

Reinforced polyamide.
Resistant to oils and greases.

Surface finish:

Satin.

Colour:

Black (RAL 9011).

Hole:

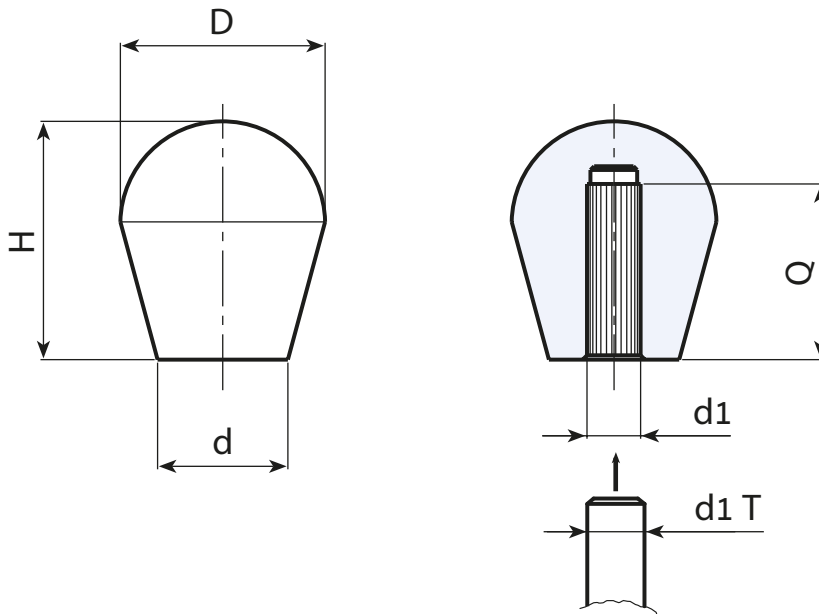
Blind smooth bore, with deformable fixing ribs, obtained by moulding the plastic.

Fixing method:

Push-fit.

Special requests:

- Upon request and for special quantities available in the colours indicated in the chart [page].



Stock availability as % (🛒)
90% (●) - 40% (●) - 5% (●)

🛒	art.	D	H	d	d1 T	d1	Q	📦
●	I50022.TG0501	22	26	12	+0 -0,048	5	18	9
●	I50022.TG0601	22	26	12	+0 -0,048	6	18	8.5
●	I50022.TG0801	22	26	12	+0 -0,058	8	18	8
●	I50030.TG1001	27	32	18	+0 -0,058	10	23	11
●	I50030.TG1201	27	32	18	+0 -0,070	12	22	11
●	I50030.TG1401	27	32	18	+0 -0,070	14	20	10
●	I50032.TG0601	32	37	19.5	+0 -0,048	6	25	23
●	I50032.TG0801	32	37	19.5	+0 -0,058	8	25	23
●	I50032.TG1001	32	37	19.5	+0 -0,058	10	25	22
●	I50032.TG1201	32	37	19.5	+0 -0,070	12	25	21
●	I50032.TG1401	32	37	19.5	+0 -0,070	14	25	20
●	I50037.TG1201	37	43	24	+0 -0,070	12	30	35
●	I50037.TG1601	37	43	24	+0 -0,070	16	30	33
●	I50037.TG1801	37	43	24	+0 -0,070	18	30	31