

# I132

## "EUROMODEL" MUSHROOM KNOB WITH CAP AND PLASTIC THREADED HOLE



### Materials:

Reinforced polyamide.  
Resistant to oils and greases.

### Surface finish:

Satin.

### Colour:

Black (RAL 9011).

### Central cap:

Grey polyamide (RAL 7035 code 13).

### Alternative cap colours:

Orange (RAL 2004 code 02).  
Blue (RAL 5015 code 07).  
Yellow (RAL 1021 code 10).  
Red (RAL 3000 code 16).  
Green (RAL 6024 code 17).  
Black (RAL 9011 code 01).

### Hole:

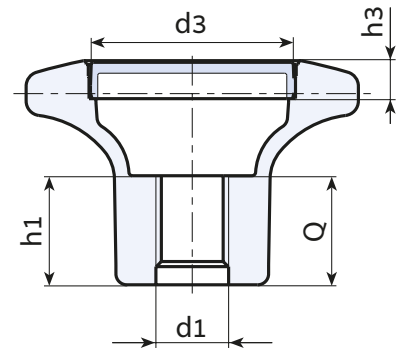
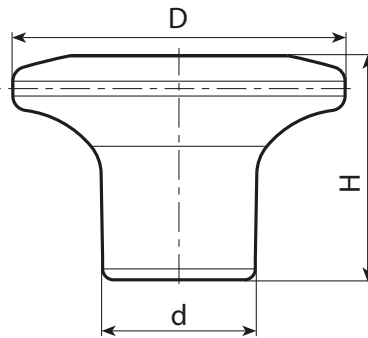
Female threaded hole obtained by moulding the plastic (thread tolerance not applicable).

### Special requests:

- Upon request and for special quantities available in the colours indicated in the chart [page].

### PAD PRINTING SERVICE

Upon request and for special quantities caps can be supplied with custom pad printing.



Stock availability as % (🛒)  
90% (●) - 40% (●) - 5% (●)

🛒	art.	D	H	d	h1	d3	h3	d1	Q	🛒
●	I13245.TM0801	45	31	21	15	28	5	M8	15	16
●	I13245.TM1001	45	31	21	15	28	5	M10	15	15
●	I13245.TM1201	45	31	21	15	28	5	M12	15	14



Arbel Agencies LTD.  
11 Ba'alei Hamelacha st. Qiryat Bialik P.O.B 1095, ZIP 2751311, ISRAEL  
+972(0)48736969 ☎ +972(0)48730708 📠 info@arbel-ltd.com 🌐 www.arbel-ltd.com 🌐

