

I131



"EUROMODEL" MUSHROOM KNOB WITH CAP AND THREADED HOLE INSERT

Materials:

Reinforced polyamide.
Resistant to oils and greases.

Surface finish:

Satin.

Colour:

Black (RAL 9011).

Central cap:

Grey polyamide (RAL 7035 code 13).

Alternative cap colours:

Orange (RAL 2004 code 02).
Blue (RAL 5015 code 07).
Yellow (RAL 1021 code 10).
Red (RAL 3000 code 16).
Green (RAL 6024 code 17).
Black (RAL 9011 code 01).

Inserts:

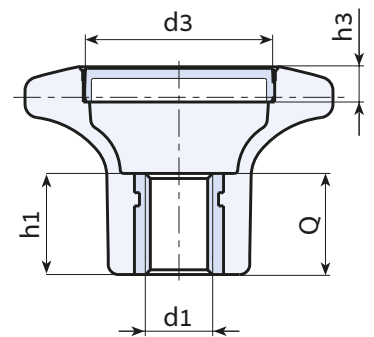
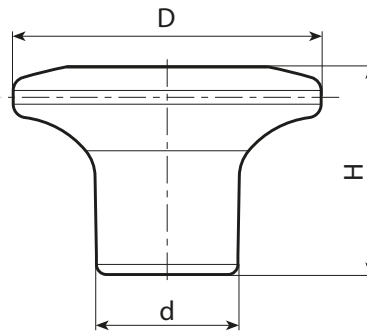
Brass insert with female threaded hole (thread tolerance 6H).

Special requests:

- Upon request and for special quantities inserts can be supplied in different materials.
- Upon request and for special quantities available in the colours indicated in the chart [page].

PAD PRINTING SERVICE

Upon request and for special quantities caps can be supplied with custom pad printing.



Stock availability as % (🛒)
90% (●) - 40% (●) - 5% (●)

🛒	art.	D	H	d	h1	d3	h3	d16H	Q	📦
●	I13145.TM0801	45	31	21	15	28	5	M8	15	18
●	I13145.TM1001	45	31	21	15	28	5	M10	15	17
●	I13145.TM1201	45	31	21	15	28	5	M12	15	15
●	I13145.TM1401	45	31	21	15	28	5	M14	15	14



11 Ba'alei Hamelacha st. Qiryat Bialik P.O.B 1095, ZIP 2751311, ISRAEL
+972(0)48736969 ☎ +972(0)48730708 📠 info@arbel-ltd.com 🌐 www.arbel-ltd.com 🌐

