

# I126

## CONICAL KNOB "EUROMODEL" WITH CAP AND THREADED STUD



### Materials:

Reinforced polyamide.  
Resistant to oils and greases.

### Surface finish:

Satin.

### Colour:

Black (RAL 9011).

### Central cap:

Grey polyamide (RAL 7035 code 13).

### Alternative cap colours:

Orange (RAL 2004 code 02).  
Blue (RAL 5015 code 07).  
Yellow (RAL 1021 code 10).  
Red (RAL 3000 code 16).  
Green (RAL 6024 code 17).  
Black (RAL 9011 code 01).

### Inserts:

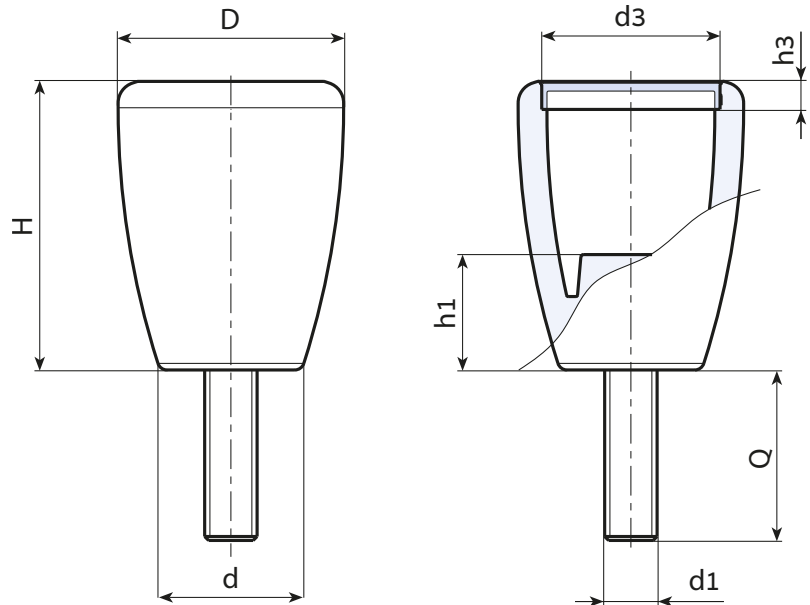
Galvanised steel threaded stud (thread tolerance 6g).

### Special requests:

- Upon request and for special quantities inserts can be supplied with customised lengths.
- Upon request and for special quantities inserts can be supplied in different materials.
- Upon request and for special quantities available in the colours indicated in the chart [page ].

### PAD PRINTING SERVICE

Upon request and for special quantities caps can be supplied with custom pad printing.



Stock availability as % (🛒)  
90% (●) - 40% (●) - 5% (●)

🛒	art.	D	H	d	h1	d3	h3	LM	d1 <sub>6g</sub>	Q	🛒
●	I12643.TM08X..01	43	55	27	30	34	5.5	80	M8	A.R.	-
●	I12643.TM10X..01	43	55	27	30	34	5.5	80	M10	A.R.	-
●	I12643.TM12X..01	43	55	27	30	34	5.5	80	M12	A.R.	-

Enter the selected stud length in place of the two dots .. in the item code.

LM = Maximum mouldable length.

A.R. = Customised stud lengths only available for a minimum of 250 pieces.



Arbel Agencies LTD.

11 Ba'alei Hamelacha st. Qiryat Bialik P.O.B 1095, ZIP 2751311, ISRAEL  
+972(0)48736969 ☎ +972(0)48730708 📠 info@arbel-ltd.com 🌐 www.arbel-ltd.com 🌐

