

I125



PUSH-FIT CONICAL KNOB "EUROMODEL" WITH CAP AND HOLE

Materials:

Reinforced polyamide.
Resistant to oils and greases.

Surface finish:

Satin.

Colour:

Black (RAL 9011).

Central cap:

Grey polyamide (RAL 7035 code 13).

Alternative cap colours:

Orange (RAL 2004 code 02).
Blue (RAL 5015 code 07).
Yellow (RAL 1021 code 10).
Red (RAL 3000 code 16).
Green (RAL 6024 code 17).
Black (RAL 9011 code 01).

Hole:

Blind smooth bore, with deformable fixing ribs, obtained by moulding the plastic.

Fixing method:

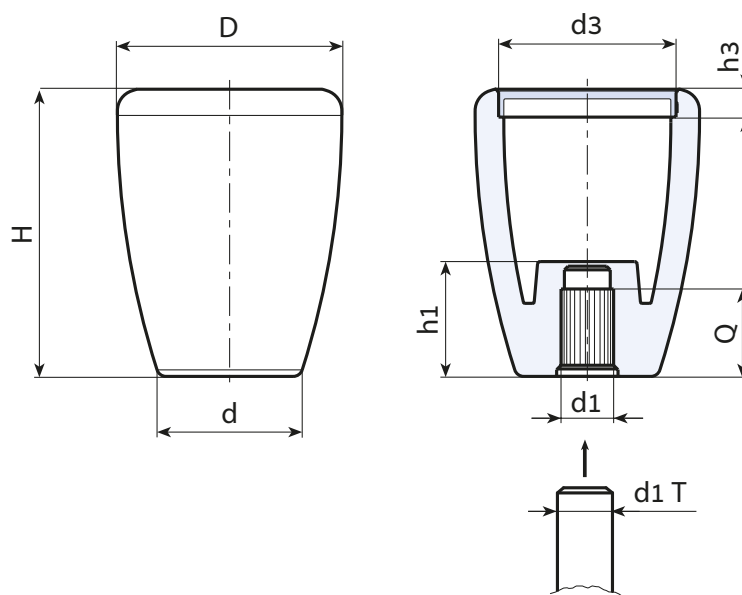
Push-fit.

Special requests:

- Upon request and for special quantities available in the colours indicated in the chart [page].

PAD PRINTING SERVICE

Upon request and for special quantities caps can be supplied with custom pad printing.



Stock availability as % (🛒)
90% (●) - 40% (●) - 5% (●)

🛒	art.	D	H	d	h1	d3	h3	d1 T	d1	Q	🛒
●	I12543.TG0801	43	55	27	30	34	5.5	+0 -0,058	8	24	34
●	I12543.TG1001	43	55	27	30	34	5.5	+0 -0,058	10	24	32
●	I12543.TG1201	43	55	27	30	34	5.5	+0 -0,070	12	24	30



11 Ba'alei Hamelacha st. Qiryat Bialik P.O.B 1095, ZIP 2751311, ISRAEL
+972(0)48736969 ☎ +972(0)48730708 📠 info@arbel-ltd.com 🌐 www.arbel-ltd.com 🌐

