

# I123



## CONICAL KNOB "EUROMODEL" WITH CAP AND THREADED HOLE INSERT

### Materials:

Reinforced polyamide.  
Resistant to oils and greases.

### Surface finish:

Satin.

### Colour:

Black (RAL 9011).

### Central cap:

Grey polyamide (RAL 7035 code 13).

### Alternative cap colours:

Orange (RAL 2004 code 02).  
Blue (RAL 5015 code 07).  
Yellow (RAL 1021 code 10).  
Red (RAL 3000 code 16).  
Green (RAL 6024 code 17).  
Black (RAL 9011 code 01).

### Inserts:

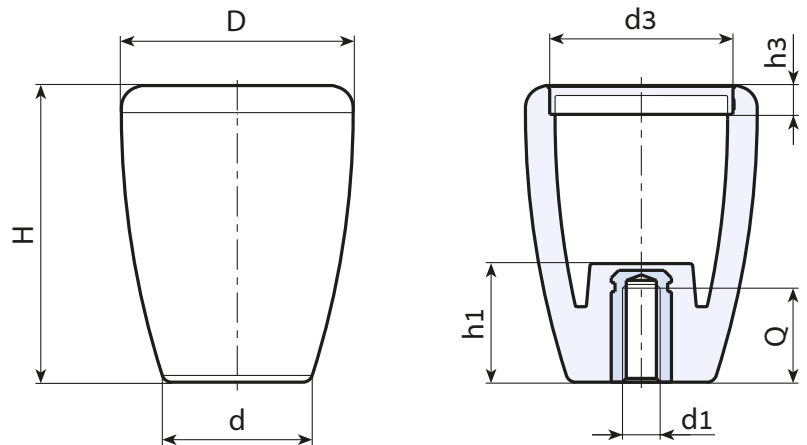
Brass insert with female threaded hole (thread tolerance 6H).

### Special requests:

- Upon request and for special quantities inserts can be supplied in different materials.
- Upon request and for special quantities available in the colours indicated in the chart [page ].

### PAD PRINTING SERVICE

Upon request and for special quantities caps can be supplied with custom pad printing.



Stock availability as % (🛒)  
90% (●) - 40% (●) - 5% (●)

🛒	art.	D	H	d	h1	d3	h3	d1 <sub>6H</sub>	Q	🛒
●	I12343.TM0801	43	55	27	30	34	5.5	M8	16	37
●	I12343.TM1001	43	55	27	30	34	5.5	M10	15	38
●	I12343.TM1201	43	55	27	30	34	5.5	M12	15	40



11 Ba'alei Hamelacha st. Qiryat Bialik P.O.B 1095, ZIP 2751311, ISRAEL  
+972(0)48736969 ☎ +972(0)48730708 📠 info@arbel-ltd.com 🌐 www.arbel-ltd.com 🌐

