

I119



MUSHROOM KNOB WITH THREADED STUD

Materials:

Reinforced polyamide.
Resistant to oils and greases.

Surface finish:

Satin.

Colour:

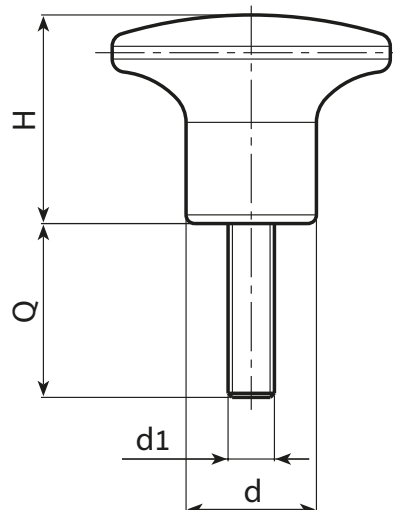
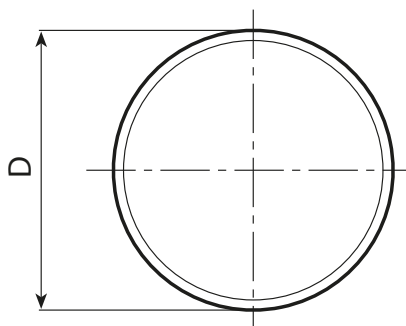
Black (RAL 9011).

Inserts:

Galvanised steel threaded stud (thread tolerance 6g).

Special requests:

- Upon request and for special quantities inserts can be supplied with customised lengths.
- Upon request and for special quantities inserts can be supplied in different materials.
- Upon request and for special quantities available in the colours indicated in the chart [page].



Stock availability as % (🛒)
90% (●) - 40% (●) - 5% (●)

🛒	art.	D	H	d	LM	d1 _{6g}	Q	🛒
●	I11922.TM04X2001	22	17	11	65	M4	20	6
●	I11922.TM05X3001	22	17	11	56	M5	30	9
●	I11922.TM06X3001	22	17	11	65	M6	30	12
●	I11926.TM05X..01	26	20.5	13	70	M5	A.R.	11
●	I11926.TM06X3001	26	20.5	13	70	M6	30	14
●	I11926.TM08X3001	26	20.5	13	70	M8	30	30
●	I11932.TM05X..01	32	24	15	70	M5	A.R.	16
●	I11932.TM06X3001	32	24	15	70	M6	30	18
●	I11932.TM08X4001	32	24	15	70	M8	40	28
●	I11945.TM08X..01	45	32	21	100	M8	A.R.	42
●	I11945.TM10X3001	45	32	21	100	M10	30	48
●	I11945.TM12X4001	45	32	21	100	M12	40	72

Enter the selected stud length in place of the two dots .. in the item code.

LM = maximum mouldable length.

A.R. = Customised stud length only available for a minimum of 250 pieces.

Arbel Agencies LTD.



11 Ba'alei Hamelacha st. Qiryat Bialik P.O.B 1095, ZIP 2751311, ISRAEL
+972(0)48736969 ☎ +972(0)48730708 📠 info@arbel-ltd.com 📧 www.arbel-ltd.com 🌐

