

# I118

## MUSHROOM KNOB WITH PLASTIC THREADED HOLE



### Materials:

Reinforced polyamide.  
Resistant to oils and greases.

### Surface finish:

Satin.

### Colour:

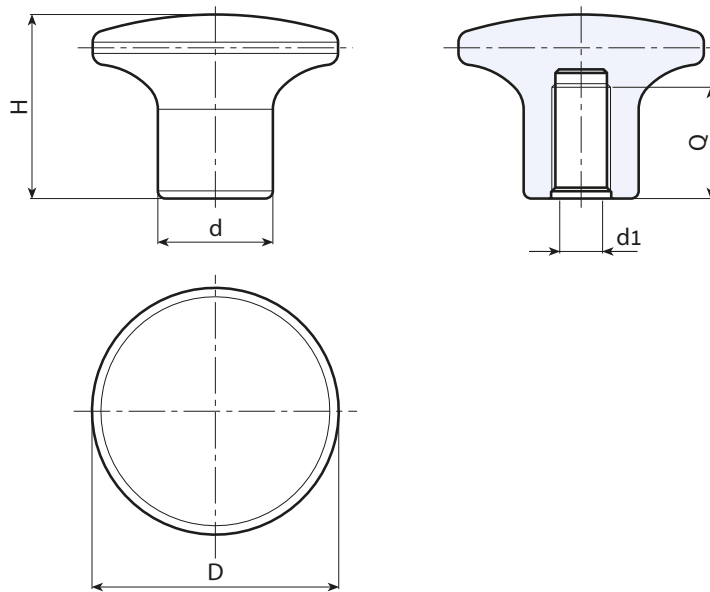
Black (RAL 9011).

### Hole:

Female threaded hole obtained by moulding the plastic (thread tolerance not applicable).

### Special requests:

- Upon request and for special quantities available in the colours indicated in the chart [page ].



Stock availability as % (🛒)  
90% (●) - 40% (●) - 5% (●)

🛒	art.	D	H	d	d1	Q	🛒
●	I11822.TM0401	22	17	11	M4	12	4
●	I11822.TM0501	22	17	11	M5	12	4
●	I11822.TM0601	22	17	11	M6	12	4
●	I11826.TM0501	26	20.5	13	M5	13	6
●	I11826.TM0601	26	20.5	13	M6	13	6
●	I11826.TM0801	26	20.5	13	M8	13	6
●	I11832.TM0501	32	24	15	M5	15	10
●	I11832.TM0601	32	24	15	M6	15	10
●	I11832.TM0801	32	24	15	M8	15	10
●	I11845.TM0801	45	32	21	M8	21	26
●	I11845.TM1001	45	32	21	M10	21	25
●	I11845.TM1201	45	32	21	M12	21	25
●	I11845.TM1401	45	32	21	M14	21	23