

I117



MUSHROOM KNOB WITH THREADED INSERT

Materials:

Reinforced polyamide.
Resistant to oils and greases.

Surface finish:

Satin.

Colour:

Black (RAL 9011).

Inserts:

I117:

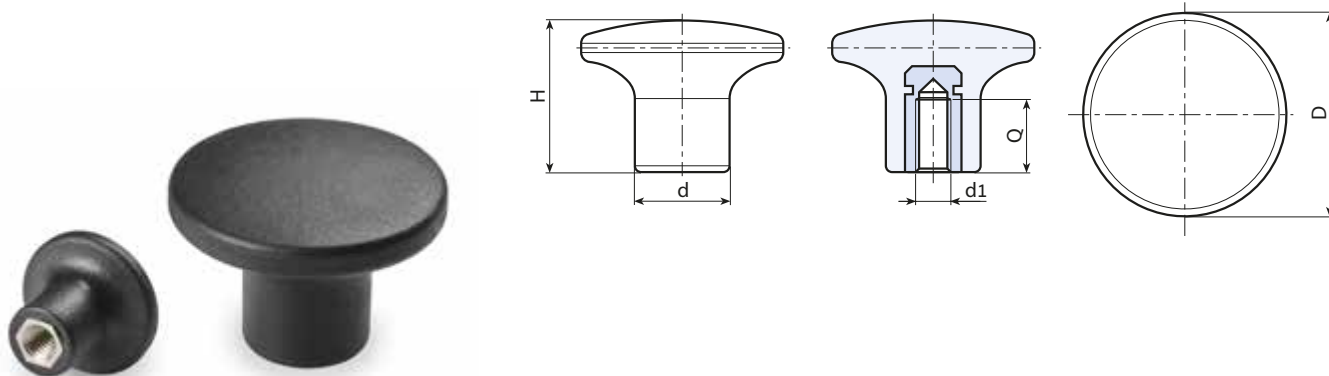
Brass insert with female threaded hole (thread tolerance 6H).

I117CIN:

Stainless steel insert with female threaded hole (Aisi 303) (thread tolerance 6H).

Special requests:

- Upon request and for special quantities inserts can be supplied in different materials.
- Upon request and for special quantities available in the colours indicated in the chart [page].



Version I117: with brass insert.

Stock availability as % (🛒)
90% (●) - 40% (●) - 5% (●)

🛒	art.	D	H	d	d1 _{6H}	Q	g
●	I11722.TM0401	22	17	11	M04	9.5	6
●	I11722.TM0501	22	17	11	M05	8	6
●	I11722.TM0601	22	17	11	M06	8	6
●	I11726.TM0501	26	20.5	13	M05	15.5	9
●	I11726.TM0601	26	20.5	13	M06	13	9
●	I11726.TM0801	26	20.5	13	M08	13	10
●	I11732.TM0501	32	24	15	M05	8	12
●	I11732.TM0601	32	24	15	M06	8	12
●	I11732.TM0801	32	24	15	M08	13	14
●	I11745.TM0801	45	32	21	M08	13	32
●	I11745.TM1001	45	32	21	M10	13	33
●	I11745.TM1201	45	32	21	M12	17	34

Version I117CIN: with stainless steel insert (Aisi 303).

INOX

🛒	art.	D	H	d	d1 _{6H}	Q	g
●	I11722.TM0501CIN	22	17	11	M05	9	8
●	I11722.TM0601CIN	22	17	11	M06	9	9
●	I11726.TM0501CIN	26	20.5	13	M05	9	10
●	I11726.TM0601CIN	26	20.5	13	M06	9	11
●	I11726.TM0801CIN	26	20.5	13	M08	13	12
●	I11732.TM0601CIN	32	24	15	M06	14	16
●	I11732.TM0801CIN	32	24	15	M08	13	18
●	I11745.TM1001CIN	45	32	21	M10	16	35
●	I11745.TM1201CIN	45	32	21	M12	15	39

Arbel Agencies LTD.



11 Ba'alei Hamelacha st. Qiryat Bialik P.O.B 1095, ZIP 2751311, ISRAEL
+972(0)48736969 ☎ +972(0)48730708 📠 info@arbel-ltd.com 📧 www.arbel-ltd.com 🌐

