

I113

CONICAL KNOB WITH LEVER ARM



Materials:

Reinforced polyamide.
Resistant to oils and greases.

Surface finish:

Satin.

Colour:

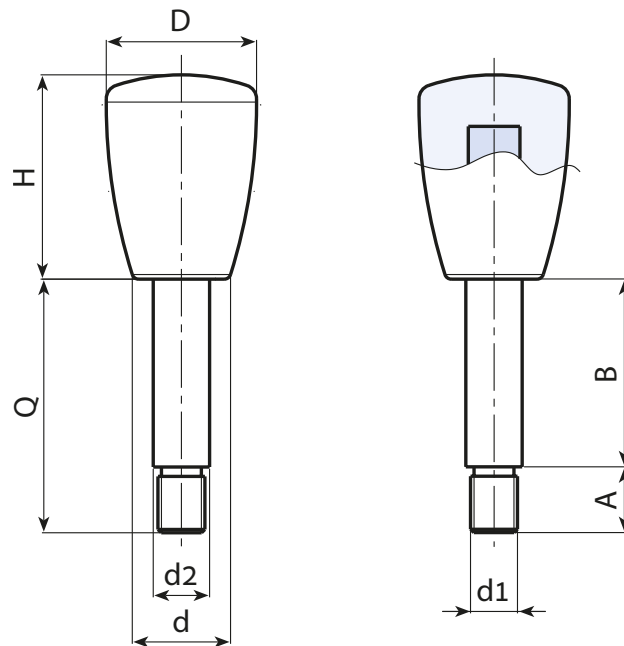
Black (RAL 9011).

Inserts:

Galvanised steel partially threaded stud (thread tolerance 6g).

Special requests:

- Upon request and for special quantities inserts can be supplied to customer's drawing.
- Upon request and for special quantities inserts can be supplied in different materials/with different coatings.
- Upon request and for special quantities available in the colours indicated in the chart (ATTENTION: reduced range for measures marked (*)) [page].



Stock availability as % (🛒)
90% (●) - 40% (●) - 5% (●)

🛒	art.	D	H	d	A	B	d2	d1 _{6g}	Q	📦
●	I11325.TI10X4001	25	34	17	10	30	10	M8	40	42
●	I11325.TI10X5501	25	34	17	10	45	10	M8	55	48
●	I11325.TI10X8001	25	34	17	10	70	10	M8	80	75
●	I11332.TI12X5501	32	43	21	15	40	12	M10	55	86
●	I11332.TI12X6501	32	43	21	15	50	12	M10	65	97
●	I11332.TI14X6501	32	43	21	15	50	14	M12	65	114

Customised stud length available for a minimum of 250 pieces.
LM = Maximum mouldable length.