

I112

CONICAL KNOB WITH THREADED STUD



Materials:

Reinforced polyamide.
Resistant to oils and greases.

Surface finish:

Satin.

Colour:

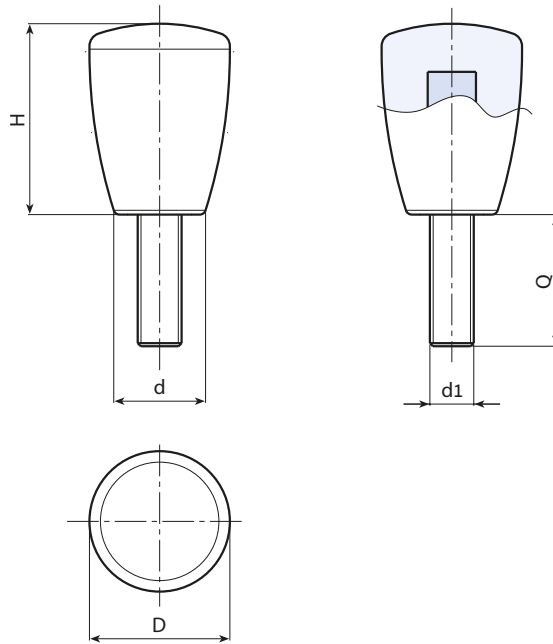
Black (RAL 9011).

Inserts:

Galvanised steel threaded stud (thread tolerance 6g).

Special requests:

- Upon request and for special quantities inserts can be supplied with customised lengths.
- Upon request and for special quantities inserts can be supplied in different materials.
- Upon request and for special quantities available in the colours indicated in the chart (ATTENTION: reduced range for measures marked (*)) [page].



Stock availability as % (🛒)
90% (●) - 40% (●) - 5% (●)

🛒	art.	D	H	d	LM	d1 _{6g}	Q	📦
●	I11221.TM04X1601	21	28	13	65	M04	16	16
●	I11221.TM05X..01	21	28	13	65	M05	A.R.	-
●	I11221.TM06X1601	21	28	13	65	M06	16	18
●	I11225.TM06X..01	25	34	17	70	M06	A.R.	-
●	I11225.TM08X1601	25	34	17	70	M08	16	20
●	I11225.TM10X2001	25	34	17	70	M10	20	24
●	I11232.TM08X3001	32	43	21	60	M08	30	48
●	I11232.TM10X..01	32	43	21	60	M10	A.R.	-
●	I11232.TM12X..01	32	43	21	60	M12	A.R.	-
●	I11243.TM10X..01	43	58	27	80	(*) M10	A.R.	-
●	I11243.TM12X..01	43	58	27	80	(*) M12	A.R.	-
●	I11243.TM14X..01	43	58	27	80	(*) M14	A.R.	-

Enter the selected stud length in place of the two dots . . in the item code.

A.R. = Customised stud length available for a minimum of 250 pieces.

LM = maximum mouldable length.



Arbel Agencies LTD.

11 Ba'alei Hamelacha st. Qiryat Bialik P.O.B 1095, ZIP 2751311, ISRAEL
+972(0)48736969 ☎ +972(0)48730708 📠 info@arbel-ltd.com 🌐 www.arbel-ltd.com 🌐

