

I108

CONICAL KNOB WITH PLASTIC THREADED HOLE



Materials:

Reinforced polyamide.
Resistant to oils and greases.

Surface finish:

Satin.

Colour:

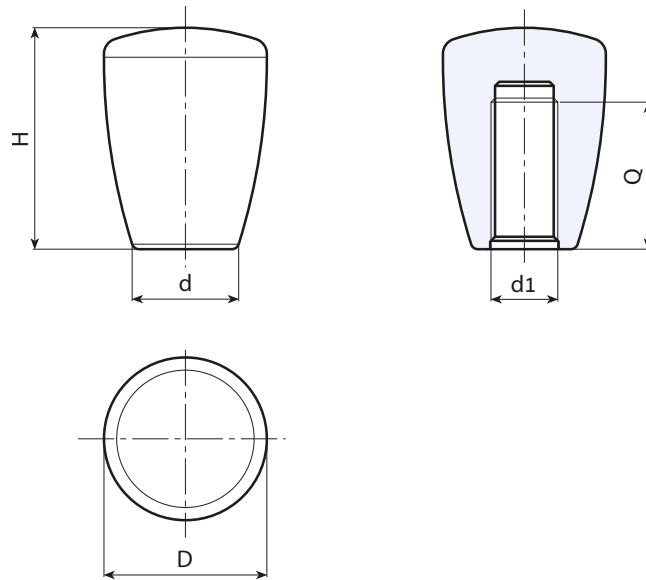
Black (RAL 9011).

Hole:

Female threaded hole obtained by moulding the plastic (thread tolerance not applicable).

Special requests:

- Upon request and for special quantities available in the colours indicated in the chart (ATTENTION: reduced range for measures marked (*)) [page].



Stock availability as % (🛒)
90% (●) - 40% (●) - 5% (●)

🛒	art.	D	H	d	d1	Q	g
●	I10821.TM0401	21	28	13	M4	16	13
●	I10821.TM0501	21	28	13	M5	16	12
●	I10821.TM0601	21	28	13	M6	16	11
●	I10825.TM0501	25	34	17	M5	24	16
●	I10825.TM0601	25	34	17	M6	24	16
●	I10825.TM0801	25	34	17	M8	24	14
●	I10825.TM1001	25	34	17	M10	24	14
●	I10832.TM0801	32	43	21	M8	30	32
●	I10832.TM1001	32	43	21	M10	30	32
●	I10832.TM1201	32	43	21	M12	30	32
●	I10843.TM1001	43	58	27	(*) M10	36	80
●	I10843.TM1201	43	58	27	(*) M12	36	78
●	I10843.TM1401	43	58	27	(*) M14	36	76
●	I10843.TM1601	43	58	27	(*) M16	36	74

Arbel Agencies LTD.



11 Ba'alei Hamelacha st. Qiryat Bialik P.O.B 1095, ZIP 2751311, ISRAEL
+972(0)48736969 ☎ +972(0)48730708 📠 info@arbel-ltd.com 🌐 www.arbel-ltd.com 🌐

